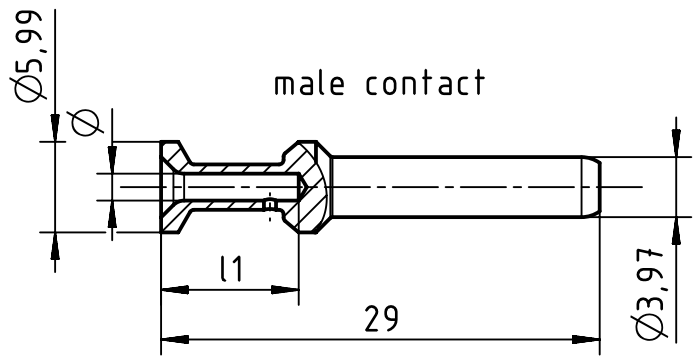
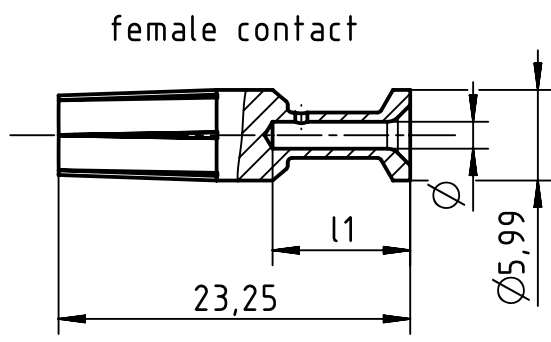


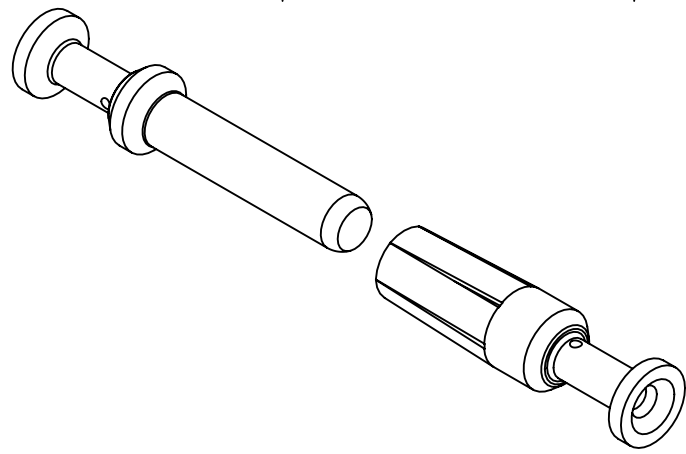
1 2 3 4 5 6



male contact



female contact



part no. 09 32 000...		Ø	wire gauge		crimp hole depth l1	stripping length	recommended crimping tools			
male contact	female contact		mm <sup>2</sup>	AWG			09 99 000 0888	09 99 000 0110	09 99 000 0001	09 99 000 0377
6109	6209	4,3	10,0	8	9,7	depending on isolation body				
6108	6208	3,53	6,0	10	9,7	9,5				
6107	6207	2,88	4,0	12	9,7					
6106	6206	2,58	3,0	12	9,7					
6105	6205	2,28	2,5	14	9,1					
6104	6204	1,78	1,5	16	9,1					
										X

	All Dimensions in mm Original Size DIN A4	Scale 2:1	Free size tol.		Ref.
	All rights reserved Department EL PD	Created by HELLMANN	Inspected by RIEPE	Standardisation 302077	Sub.
HARTING D-32339 Espelkamp	Title Han C-SMC-male/female contacts-crimp-Ag				Date 2021-06-07
	Type TB				Number 09 32 000 6X0X
					Doc-Key / ECM-Nr. 100821744/UGD/009/G 500000196093
					Rev. G
					Page 1/1