

5

4

3

2

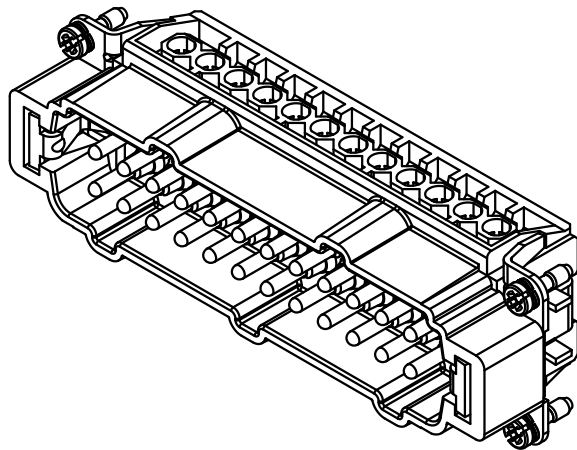
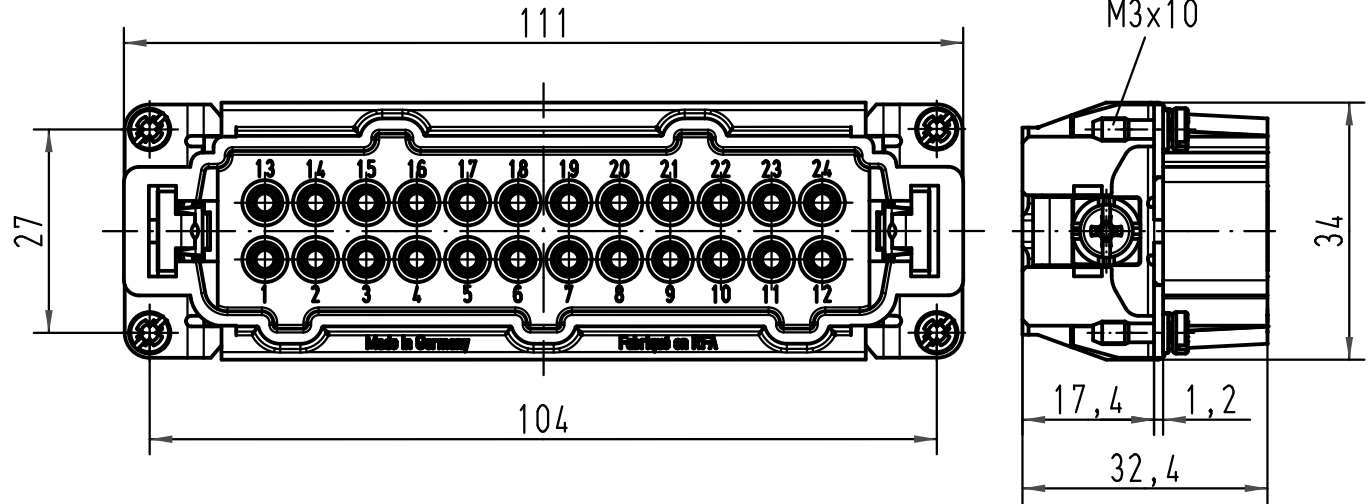
1

D

C

B

A



| | | | | | | |
|---|----------|-------------------|--------------------------------|-------------|--|--|
| All Dimensions in mm Original Size DIN A 4 | | Techn. Character. | | | Nicht tolerierte Maße/Free size tolerances | |
| | | | Dat. | Name | Maßstab/Scale | Han 24E-sti-s Stifteinsatz / male insert |
| | | | Detail. | 09.04.98 KR | | |
| 414268 | 26.11.08 | ML | Insp. | Rue. | 1:1 | |
| 413214 | 17.09.07 | Rull | Stand. | NÖTZEL | | |
| 28552 | 11.10.00 | ROH. | HARTING Electric GmbH & Co. KG | | | TB 09 33 024 2601 |
| 26781 | | | D-32339 Espelkamp | | | |
| Mod. | Dat. | Name | | | | Blatt/page |
| | | | Sub. | | | |