

1 2 3 4 5 6

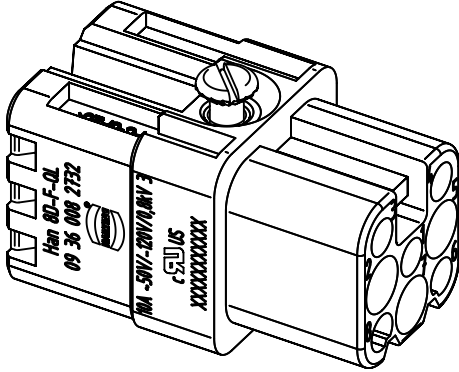
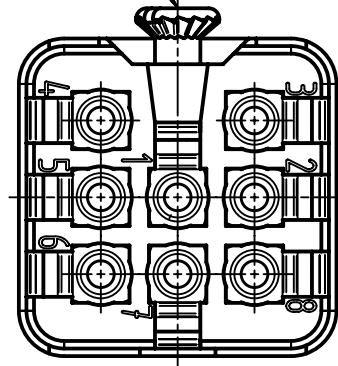
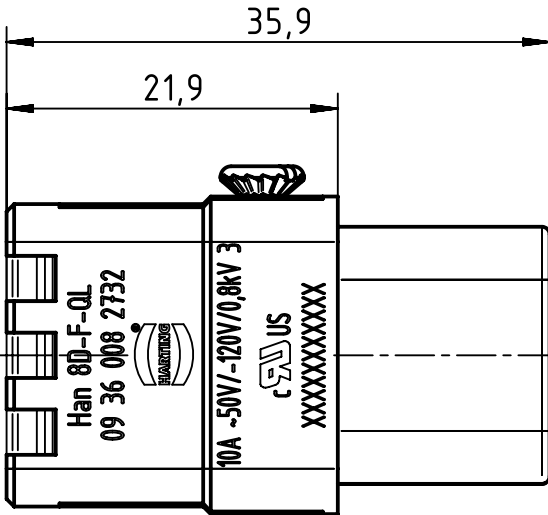
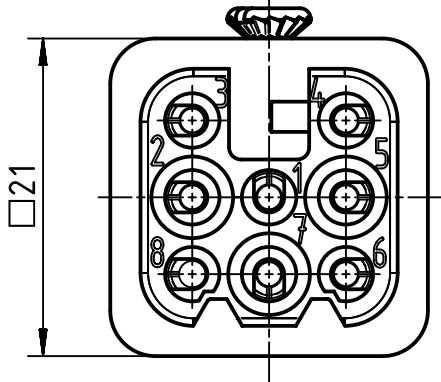
A

B

C

D

insert fixing screw M3x6
separately enclosed



	All rights reserved Department EL PD - DE	All Dimensions in mm Original Size DIN A4		Scale 2:1	Free size tol.	Ref. Sub.
		HARTING Electric GmbH & Co. KG D-32339 Espelkamp	Created by RULLKOETTER	Inspected by BERGHORN	Standardisation TIEMANNA	Date 2015-01-07
Title Han 8D-F Quick Lock 22 - 16 AWG						Doc-Key / ECM-Nr. 100172085/UGD/005/A 500000082990
Type TB				Number 09 36 008 2732		Rev. A
						Page 1/1