

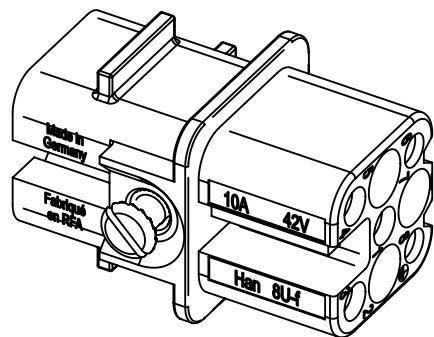
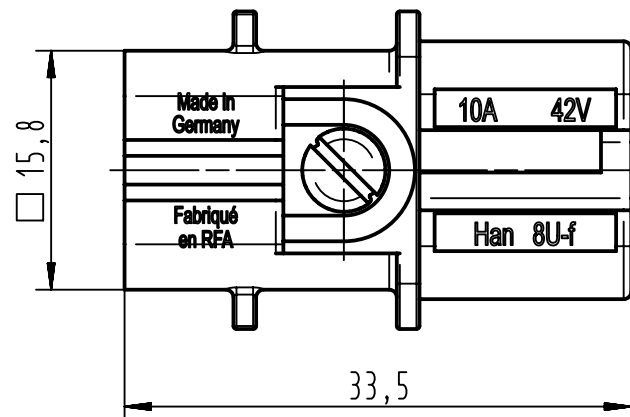
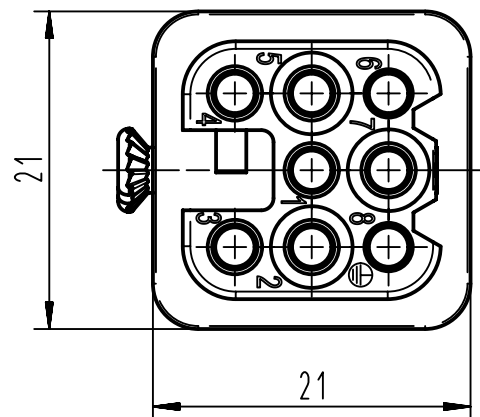
1 2 3 4 5 6



A

B

C

D



 All Dimensions in mm Original Size DIN A4	Scale 1:1		Free size tol.		Ref.	
	Created by HOLLERT		Inspected by BERGHORN	Standardisation SCHMIDTM	Date 2012-08-22	State Final Release
 All rights reserved Department EL PD - DE	Title Han 8D-F female insert				Doc-Key / ECM-Nr. 100089544/UGD/005/A	
	HARTING Electric GmbH & Co. KG D-32339 Espelkamp		Type TB	Number 09 36 008 3101		Rev. A