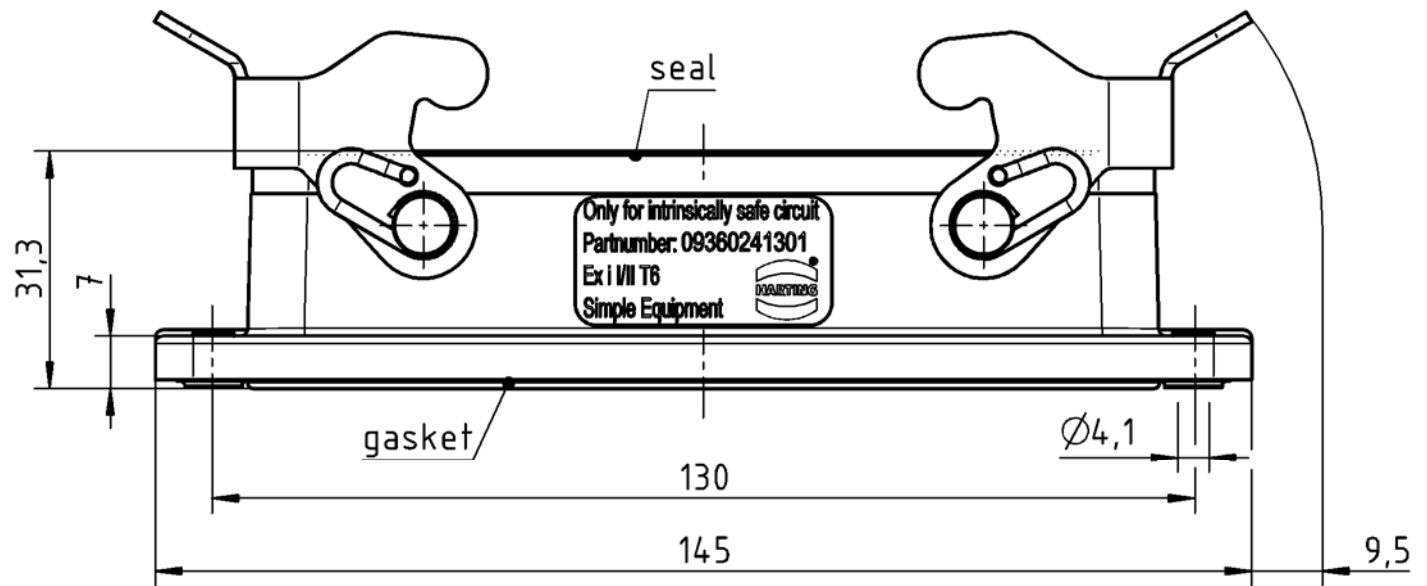
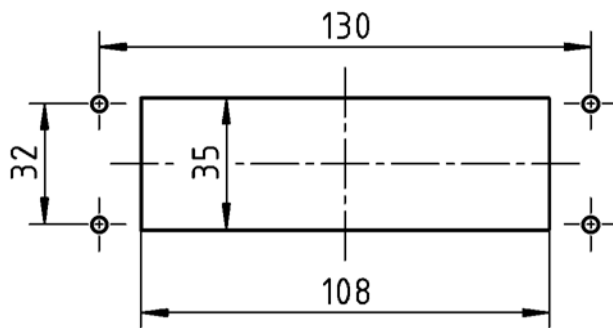


panel cut out (1:2)



Only for intrinsically safe circuit
 Partnumber: 09360241301
 Ex i VII T6
 Simple Equipment

	All rights reserved Department EL PD HARTING Electric GmbH & Co. KG D-32339 Espelkamp	All Dimensions in mm Original Size DIN A4	Scale 1:1	Free size tol.	Ref. Sub.
		Created by ZENG0	Inspected by LUOK	Standardisation TIEMANNA	Date 2018-11-15
Title Han 24B Ex-HBM-Double Lever					Doc-Key / ECM-Nr. 100589138/UGD/002/C 50000014.3398
Type TB		Number 09 36 024 1301			Rev. C
					Page 1/1

Han 24B Ex-HBM-Double Lever



Part number	09 36 024 1301
Specification	Han 24B Ex-HBM-Double Lever
HARTING eCatalogue	https://b2b.harting.com/09360241301

Identification

Category	Hoods/Housings
Series of hoods/housings	Han [®] Ex
Type of hood/housing	Bulkhead mounted housings

Version

Locking type	Double locking lever
Size	24 B
Field of application	Connectors for explosion hazardous environments
Details	ATTENTION! Only to be used with Han [®] Ex inserts!

Technical characteristics

Limiting temperature	-20 ... +40 °C
Degree of protection acc. to IEC 60529	IP65 With cable gland

Material properties

Material (hood/housing)	Zinc die-cast
Surface (hood/housing)	Powder-coated
Colour (hood/housing)	RAL 5015 (sky blue)
Material (seal)	NBR
Material (locking)	Stainless steel
RoHS	compliant
ELV status	compliant
China RoHS	e
REACH Annex XVII substances	No
REACH ANNEX XIV substances	No
REACH SVHC substances	No

Commercial data

Packaging size	1
----------------	---



Pushing Performance

Commercial data

Net weight 307.25 g

Country of origin China

European customs tariff number 85389099
