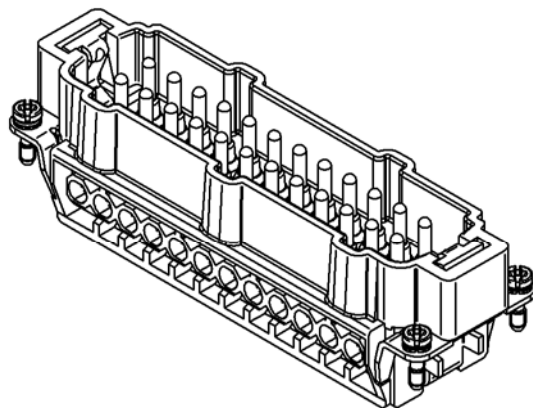
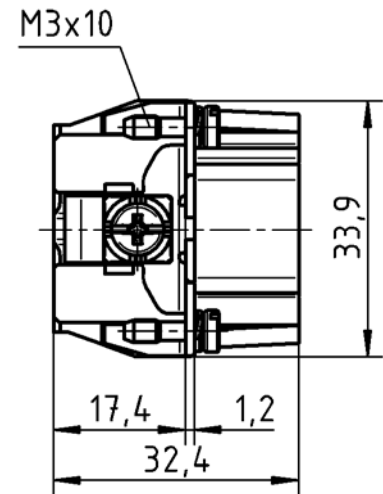
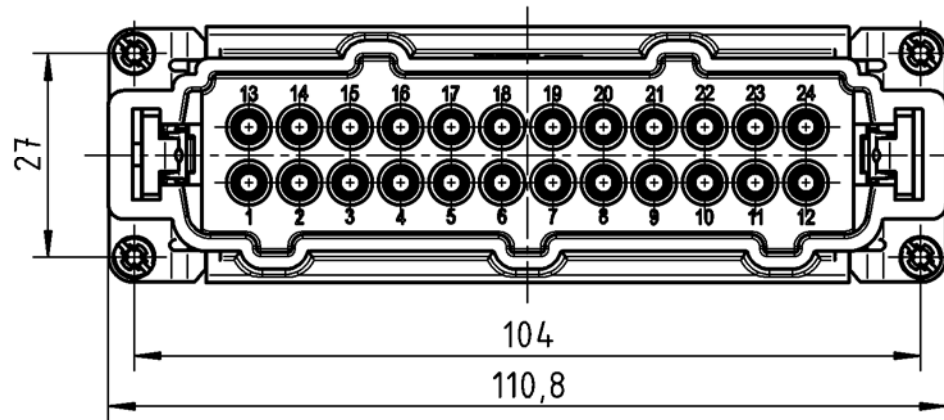
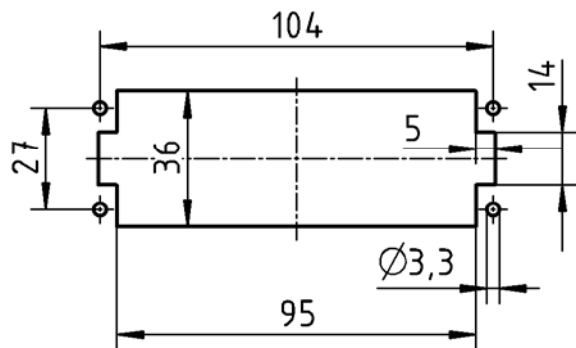
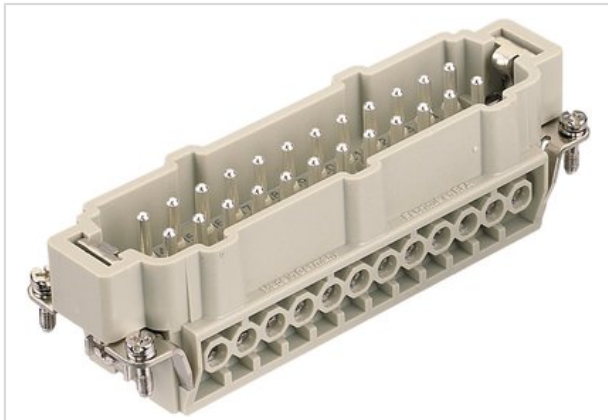


panel cut out (1:2)



	All rights reserved Department EL PD - DE HARTING Electric GmbH & Co. KG D-32339 Espelkamp	All Dimensions in mm Original Size DIN A4		Scale 1:1	Free size tol.	Ref. Sub.
		Created by HOLLERT	Inspected by RIEPE	Standardisation TIEMANNA	Date 2017-09-11	State Final Release
Title Han 24Ex-M-s					Doc-Key / ECM-Nr. 10062024-0/UGD/001/B 500000125069	
Type TB			Number 09 36 024 2601		Rev B	Page 1/1

## Han 24Ex-M-s



Part number	09 36 024 2601
Specification	Han 24Ex-M-s
HARTING eCatalogue	<a href="https://b2b.harting.com/09360242601">https://b2b.harting.com/09360242601</a>

### Identification

Category	Inserts
Series	Han <sup>®</sup> Ex

### Version

Termination method	Screw termination
Gender	Male
Size	24 B
Number of contacts	24
PE contact	Yes
Details	ATTENTION! Only to be used with Han <sup>®</sup> Ex hoods and housings!

### Technical characteristics

Conductor cross-section	0.75 ... 2.5 mm <sup>2</sup>
Rated current	16 A
Rated voltage	90 V
Insulation resistance	> 10 <sup>10</sup> Ω
Contact resistance	≤1 mΩ
Limiting temperature	-20 ... +40 °C
Tightening torque	0.5 Nm
Mating cycles	≥500

### Material properties

Material (insert)	Polycarbonate
Colour (insert)	RAL 7032 (pebble grey)



## Material properties

Material (contacts)	Copper alloy
Surface (contacts)	Silver plated
Material flammability class acc. to UL 94	V-0
RoHS	compliant with exemption
RoHS exemptions	6c: Copper alloy containing up to 4 % lead by weight
ELV status	compliant with exemption
China RoHS	50
REACH Annex XVII substances	No
REACH ANNEX XIV substances	No
REACH SVHC substances	Yes
REACH SVHC substances	Lead

## Commercial data

Packaging size	1
Net weight	115.5 g
Country of origin	Germany
European customs tariff number	85389099
eCl@ss	27440205 Contact insert for industrial connectors