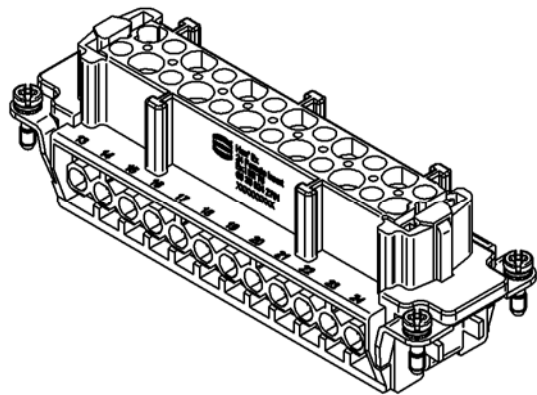
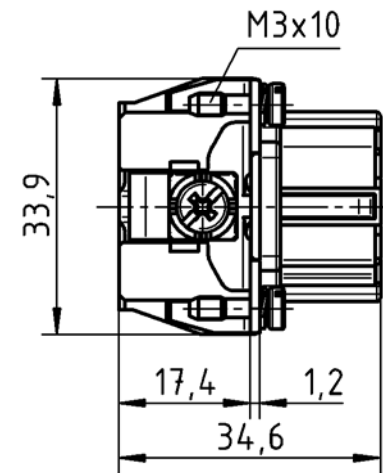
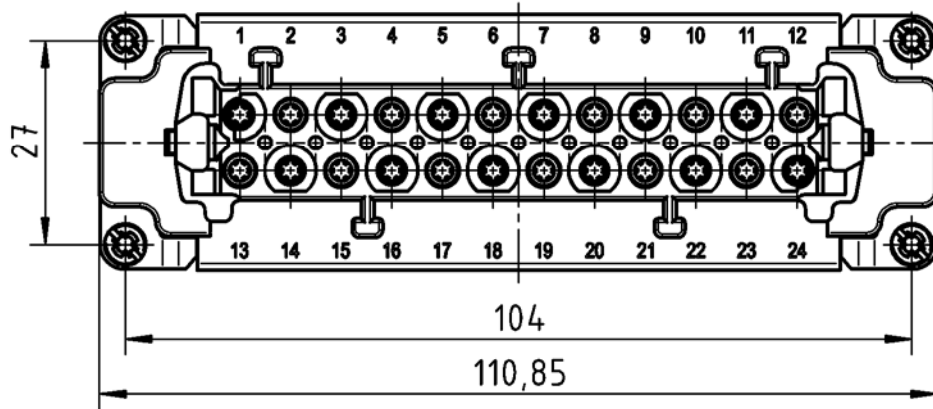
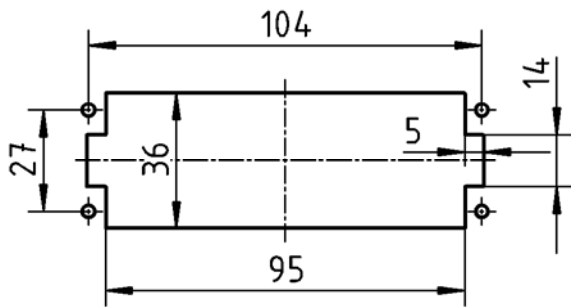

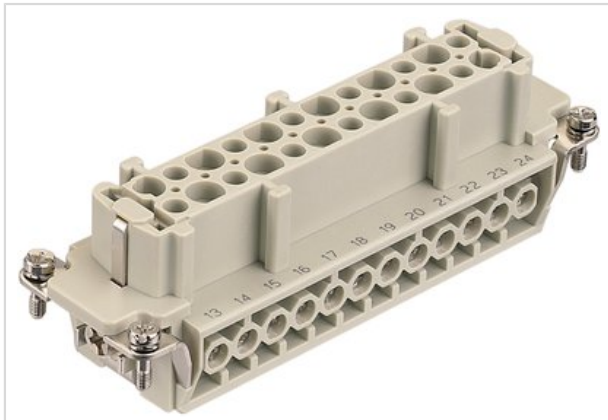


panel cut out (1:2)



	All rights reserved Department EL PD - DE	Created by HOLLERT		Inspected by RIEPE		Standardisation TIEMANNA		Date 2017-09-11		State Final Release	
		Title Han 24Ex-F-s								Doc-Key / ECM-Nr. 100620394/UGD/001/B 500000125069	
HARTING Electric GmbH & Co. KG D-32339 Espelkamp		Type TB		Number 09 36 024 2701				Rev B		Page 1/1	

Han 24Ex-F-s



Part number	09 36 024 2701
Specification	Han 24Ex-F-s
HARTING eCatalogue	https://b2b.harting.com/09360242701

Identification

Category	Inserts
Series	Han [®] Ex

Version

Termination method	Screw termination
Gender	Female
Size	24 B
Number of contacts	24
PE contact	Yes
Details	ATTENTION! Only to be used with Han [®] Ex hoods and housings!

Technical characteristics

Conductor cross-section	0.75 ... 2.5 mm ²
Rated current	16 A
Rated voltage	90 V
Insulation resistance	> 10 ¹⁰ Ω
Contact resistance	≤1 mΩ
Limiting temperature	-20 ... +40 °C
Tightening torque	0.5 Nm
Mating cycles	≥500

Material properties

Material (insert)	Polycarbonate
Colour (insert)	RAL 7032 (pebble grey)



Pushing Performance

Material properties

Material (contacts)	Copper alloy
Surface (contacts)	Silver plated
Material flammability class acc. to UL 94	V-0
RoHS	compliant with exemption
RoHS exemptions	6c: Copper alloy containing up to 4 % lead by weight
ELV status	compliant with exemption
China RoHS	50
REACH Annex XVII substances	No
REACH ANNEX XIV substances	No
REACH SVHC substances	Yes
REACH SVHC substances	Lead

Commercial data

Packaging size	1
Net weight	123.4 g
Country of origin	Germany
European customs tariff number	85389099
eCl@ss	27440205 Contact insert for industrial connectors