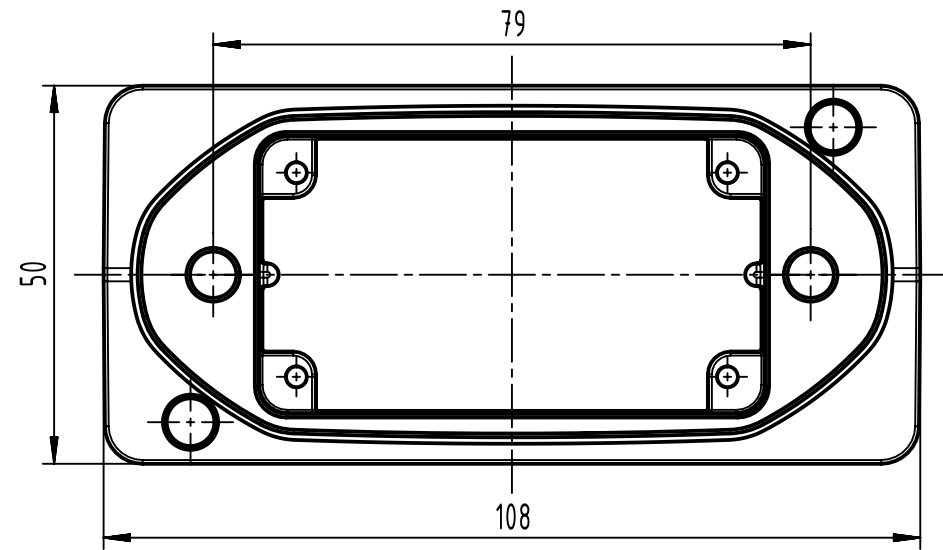
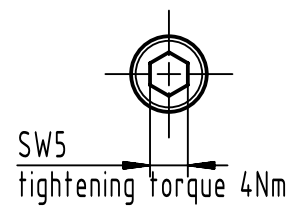


A (1:1) (2x)



B (1:1) (2x)



	All rights reserved Department EL PD	All Dimensions in mm Original Size DIN A4	Scale 1:1	Free size tol.	Ref. Sub.
		Created by 406869	Inspected by DINGB	Standardisation RUETERA	Date 2022-12-29
HARTING D-32339 Espelkamp		Title Han 10HPR-Compact-extender-for SCL			Doc-Key / ECM-Nr. 100875669/UGD/001/E 500000233945
		Type TB	Number 09 40 510 9910		Rev. E
					Page 1/1