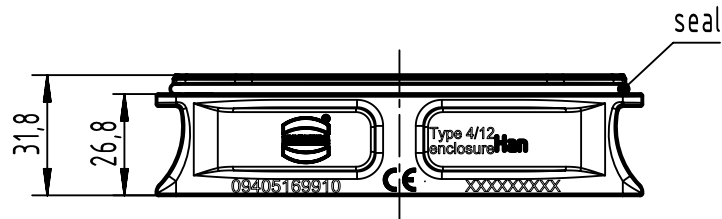
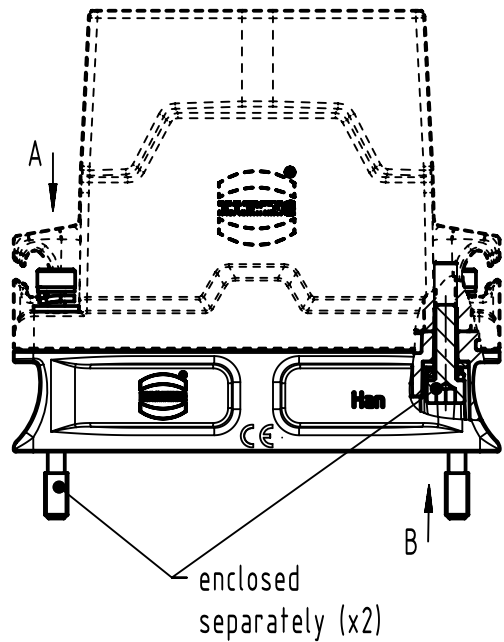


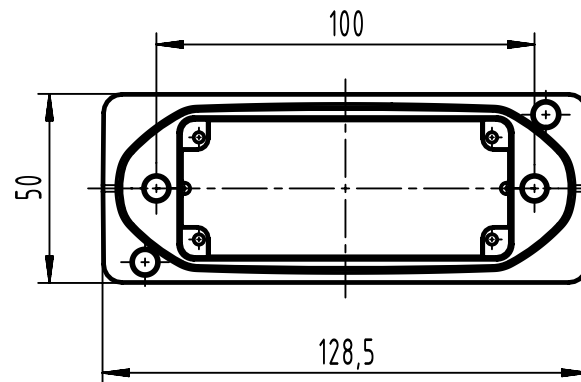
Assembly reference



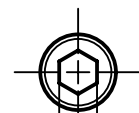
A (1:1) (2x)



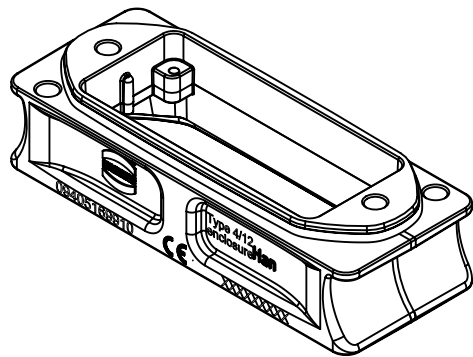
SW5
tightening torque 4Nm



B (1:1) (2x)



SW5
tightening torque 4Nm



	All Dimensions in mm Original Size DIN A4		Scale 1:2	Free size tol.		Ref.
						Sub.
	All rights reserved		Created by 406869	Inspected by DINGB	Standardisation RUETERA	Date 2022-12-29
	Department EL PD		Title Han 16HPR-Compact-extender-for SCL			State Final Release
HARTING D-32339 Espelkamp			Type TB	Number 09 40 516 9910		Doc-Key / ECM-Nr. 100875665/UGD/001/E 500000233945
					Rev. E	Page 1/1