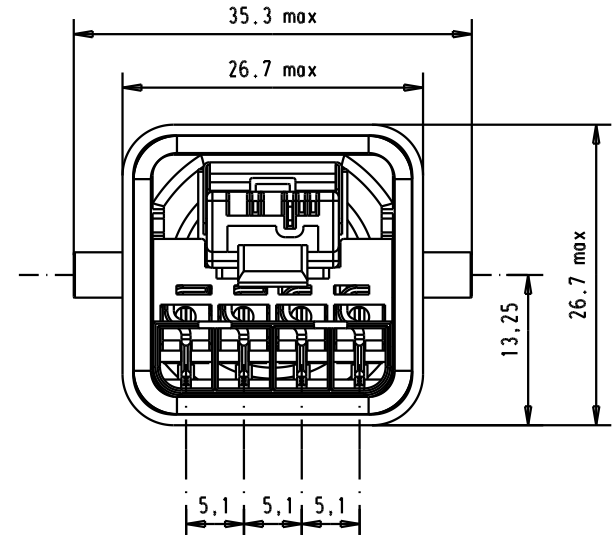
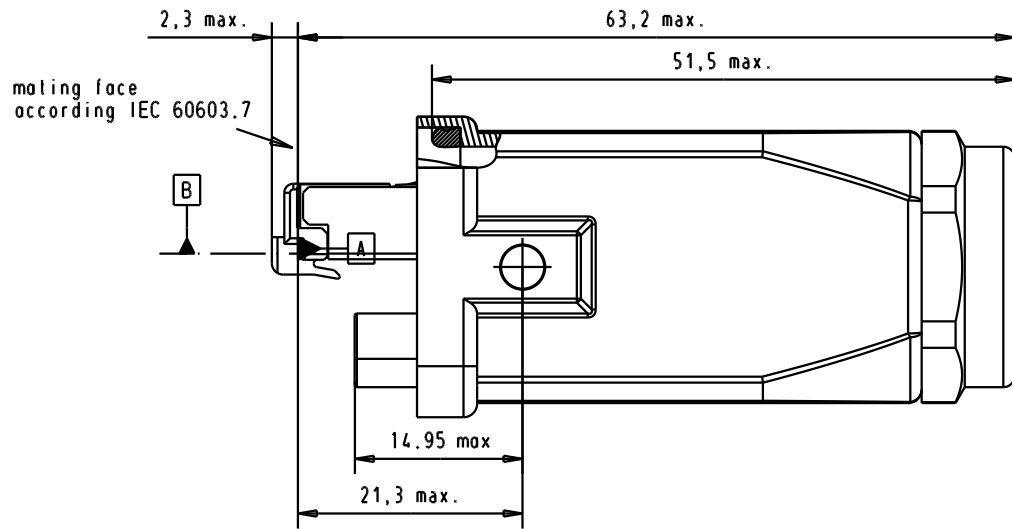
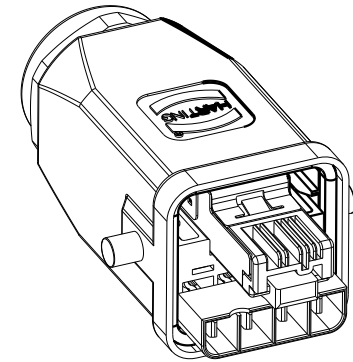
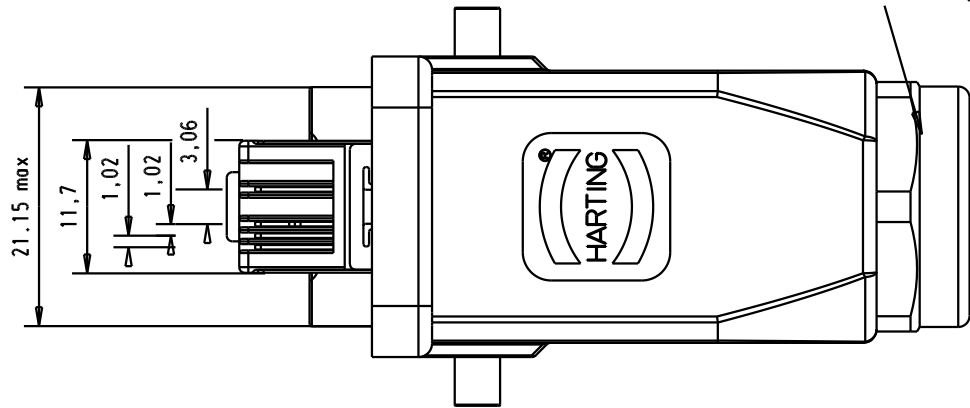



5 4 3 2 1



M 20 or PG11 sealing gland



power contact		data contact		performance level		
Ag: 5µm over Ni		Au: 1.27µm over Ni		1		
			Dat.	Name	 All Dim. in mm Orig. Size DIN A 4	
			Detail.	19/04/02		S.H.
			Insp.			
31556	09/oct/03	S.H.	Stand.			
31529	22/07/03	S.H.				
31350	16/05/02	S.H.				
Mod.	Dat.	Name	HARTING ELEKTRONIK F-95972 Paris			

RJ INDUSTRIAL
 IP67 Hybrid Plug
 4 data - 4 power (16 Amps at 20°C)

TB 09 45 125 13 00

Sub. RP 0901773x

Maßstab/
 Scale
 1.5:1

Blatt/ Page

D
C
B
A