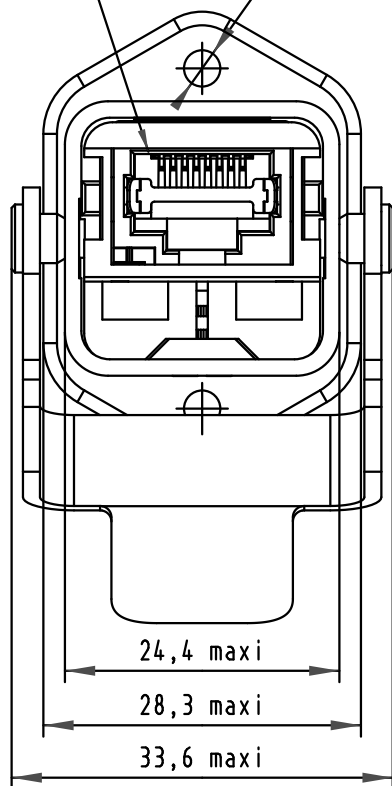


1 2 3 4 5 6

A
B
C
D

IEC 60603-7

ø3,4 maxi

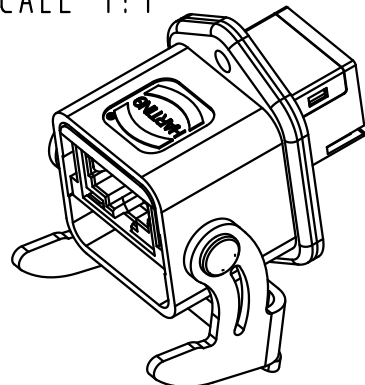


24,4 maxi

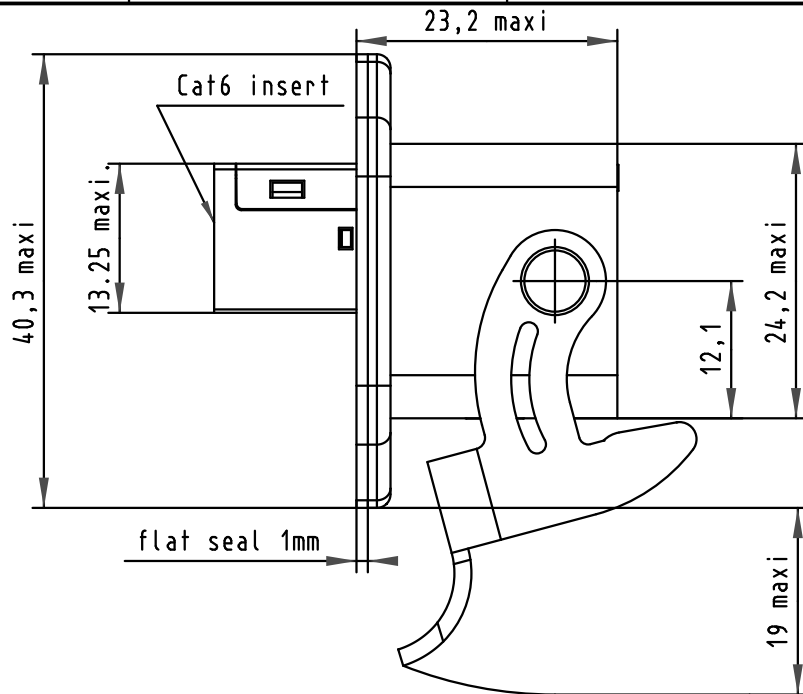
28,3 maxi

33,6 maxi

SCALE 1:1



compatible with
IEC 60076-3-106 variant 5
connectors pitches on panel
axis X = 36 mm
axis Y = 55 mm



Cat6 insert

40,3 maxi

13,25 maxi

23,2 maxi

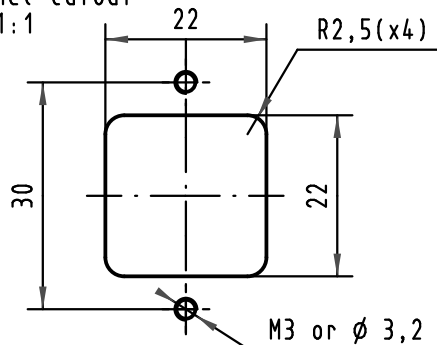
12,1

24,2 maxi

flat seal 1mm

19 maxi

recommended panel cutout
scale 1:1



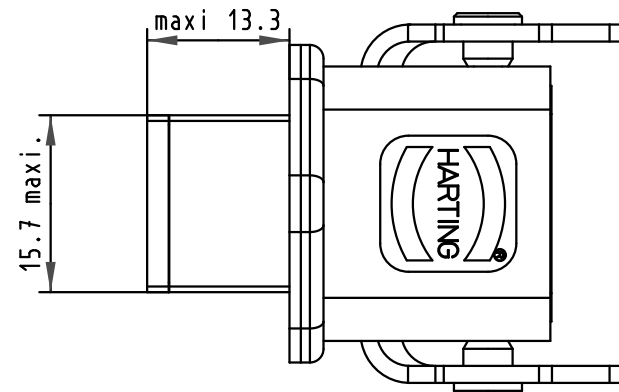
22

R2,5(x4)

30

22

M3 or ø 3,2



maxi 13.3

15.7 maxi

HARTING

				Dot.	Name	<p>All Dim. in mm Orig. Size DIN A 4</p>	RJ Industrial metal Han 3A RJ45 panel feed through Cat.6	Maßstab/ Scale	
				Detail.	25/05/10			AB	1,5:1
				Insp.					
				Stand.				Blatt/ Page	
36075	25/05/10	AB	HARTING EURL F-95972 Paris				TB 09 45 215 1560	1 1	
Mod.	Dot.	Name					Sub.		