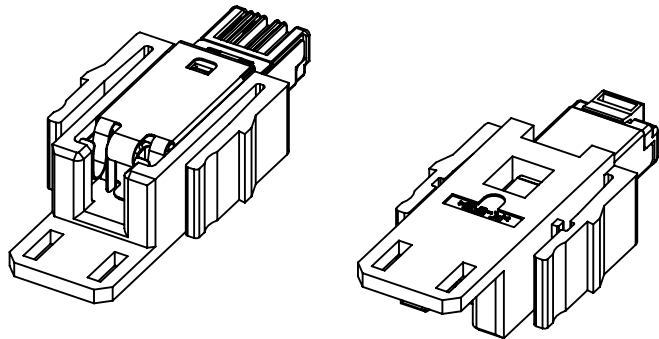
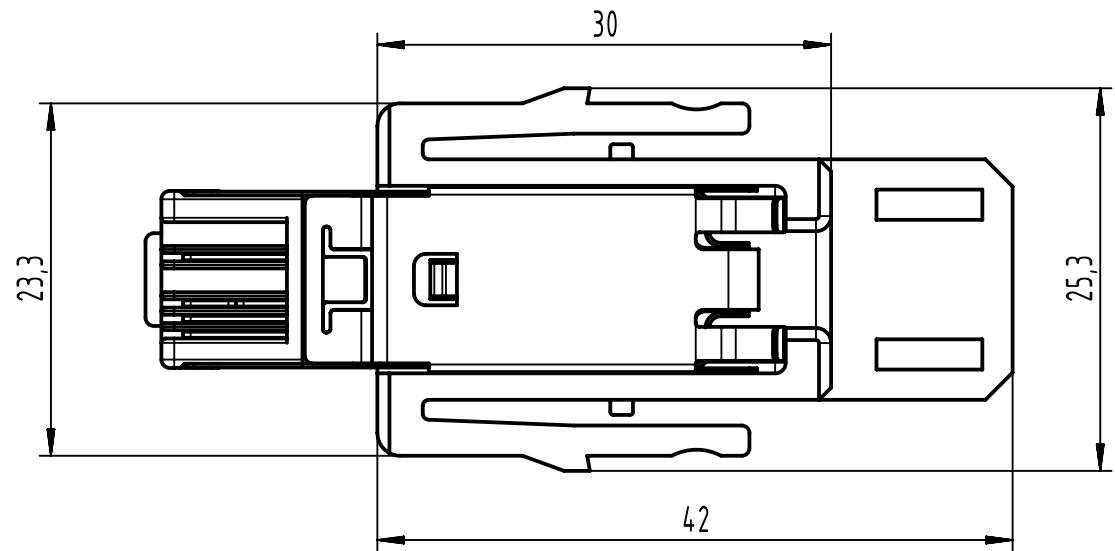



A and B reference planes according to IEC 60603-7



Data contact plating: Au 1.27µm over Nickel

	All rights reserved Department EL PD	All Dimensions in mm Original Size DIN A4		Scale 2:1	Free size tol.	Ref. Sub.
		Created by 406403	Inspected by PREUTU	Standardisation ROEBEN	Date 2023-04-24	State Final Release
HARTING D-32339 Espelkamp		Title Han-Modular RJ45 Cat5 plug 4p IDC			Doc-Key / ECM-Nr. 100220561/UGD/001/D 500000242200	
		Type TB	Number 09454001100		Rev. D	Page 1/1