

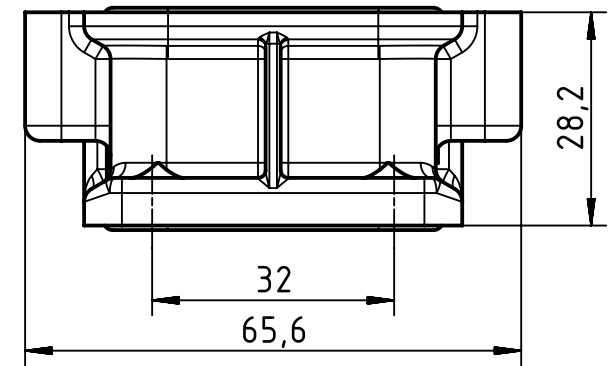
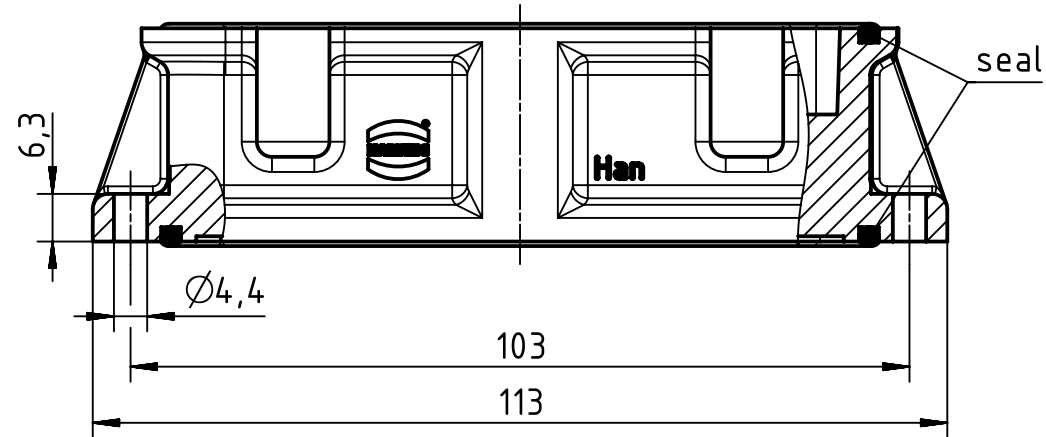
1 2 3 4 5 6

A

B

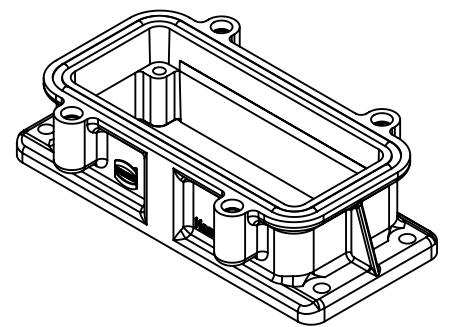
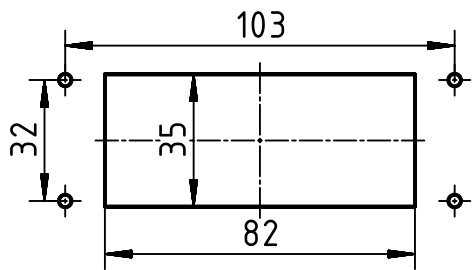
C


D



(1:2)

panel cut out



	All Dimensions in mm Original Size DIN A4	Scale 1:1	Free size tol.		Ref. Sub. TB 09 62 040 0301 v. 12.08.10
	All rights reserved Department EL PD	Created by SPRENB	Inspected by GERB	Standardisation RUETERA	Date 2018-11-23
HARTING Electric GmbH & Co. KG D-32339 Espelkamp		Title Han EMV 40 Base Panel			Doc-Key / ECM-Nr. 100194680/UGD/004/B 500000143545
		Type TB	Number 09 62 040 0301		Rev. B Page 1/1