

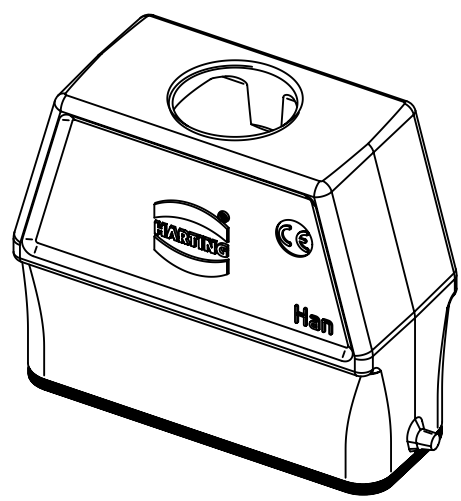
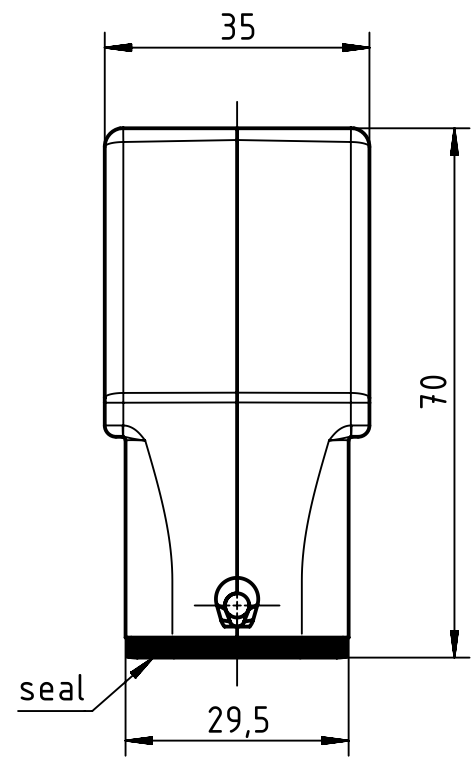
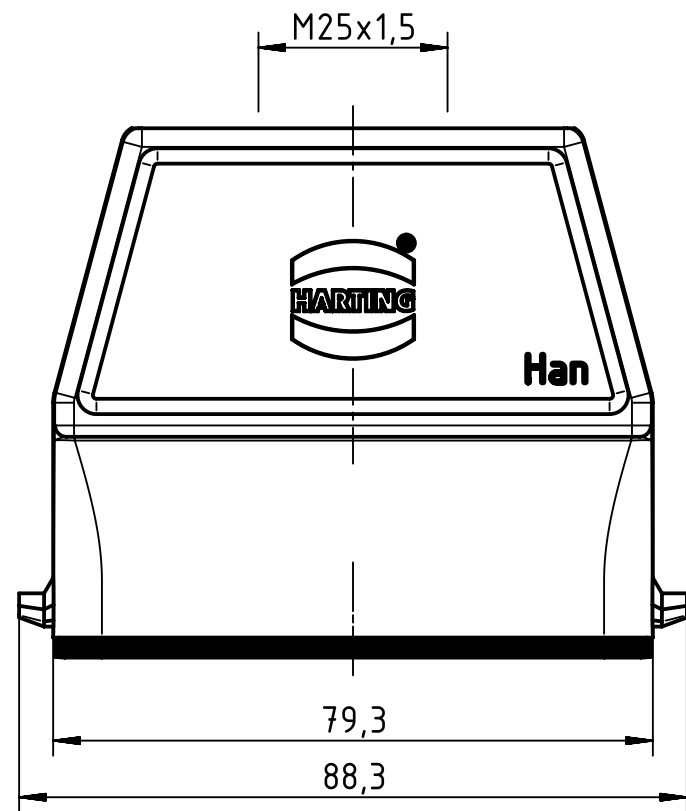
1 2 3 4 5 6


A

B

C

D



	All Dimensions in mm Original Size DIN A4		Scale 1:1	Free size tol.		Ref.	
	All rights reserved Department EL PD		Created by RULLKOETTER	Inspected by GERB	Standardisation GARSKE	Date 2019-12-03	State Final Release
HARTING Electric GmbH & Co. KG D-32339 Espelkamp			Title Han A Hood Top Entry HC 2 Pegs M25			Doc-Key / ECM-Nr. 100189509/UGD/004/E 500000161520	
			Type TB	Number 19 20 016 0446		Rev. E	Page 1/1