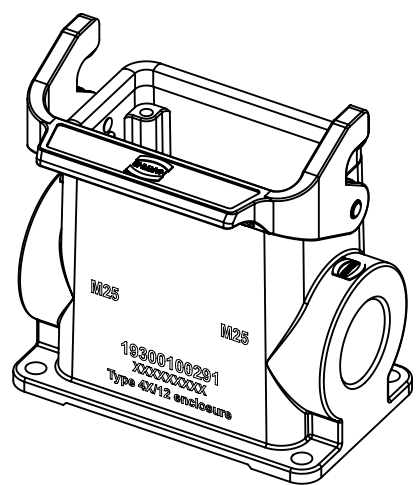
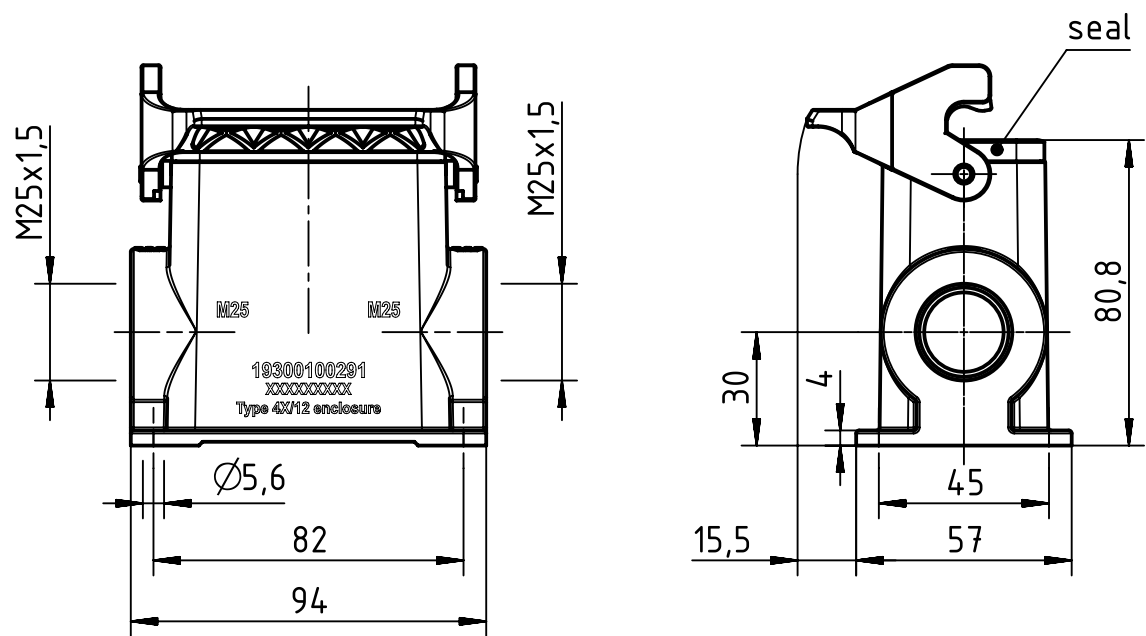


A

B

C

D



	All rights reserved Department EL PD	All Dimensions in mm Original Size DIN A4		Scale 1:2	Free size tol.	Ref. Sub.
		HARTING Electric GmbH & Co. KG D-32339 Espelkamp	Created by SPRENB	Inspected by GERB	Standardisation GARSKE	Date 2019-12-04
Title Han B Base Surface HC 1 Lever 2 x M25						Doc-Key / ECM-Nr. 100209250/UGD/004/C 500000161045
Type TB				Number 19 30 010 0291		Rev. C
						Page 1/1