

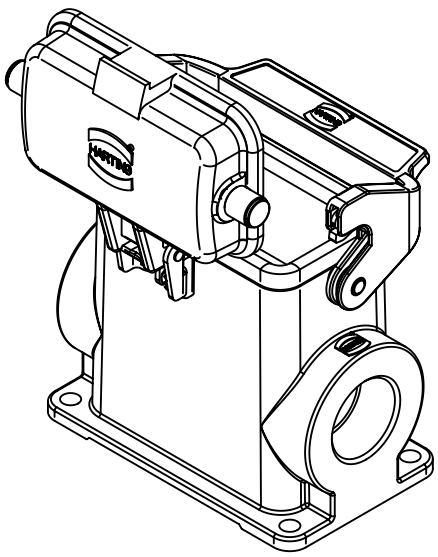
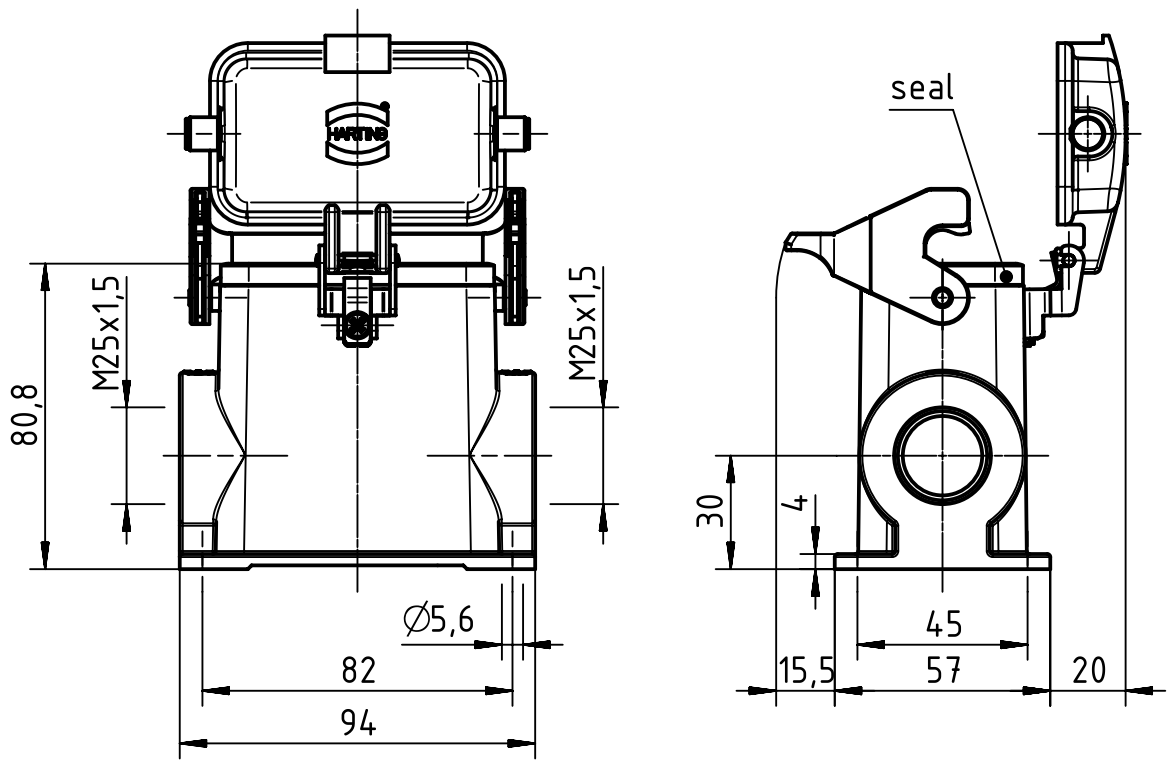
1 2 3 4 5 6


A

B

C

D



	All Dimensions in mm Original Size DIN A4		Scale 1:2		Free size tol.		Ref. Sub. TB 19 30 010 0296 v. 19.02.09					
	All rights reserved Department EL PD - DE		Created by SPRENB		Inspected by BERGHORN		Standardisation TIEMANNA		Date 2014-01-30		State Final Release	
HARTING Electric GmbH & Co. KG D-32339 Espelkamp			Title Han 10B-asg2-LB-K-M25 (Ak in Al)						Doc-Key / ECM-Nr. 100564669/UGD/004/A 500000071121			
			Type TB		Number 19 30 010 7296				Rev. A		Page 1/1	