

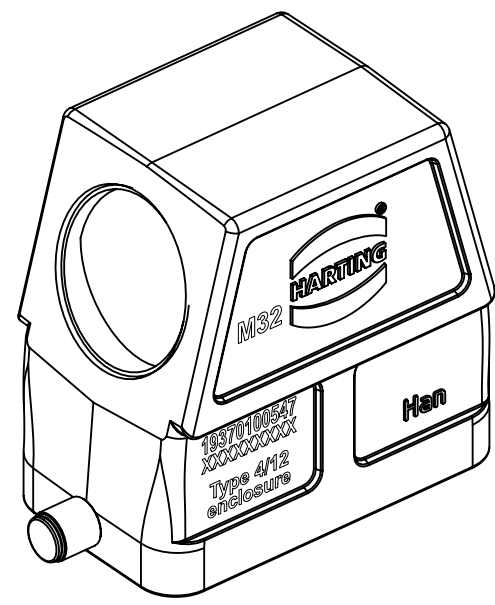
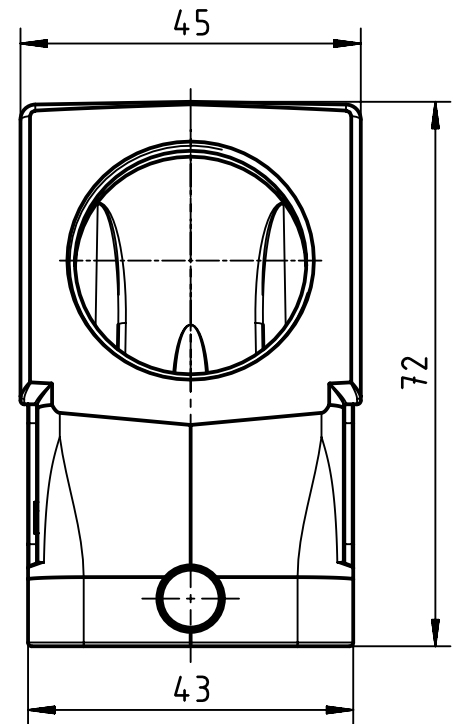
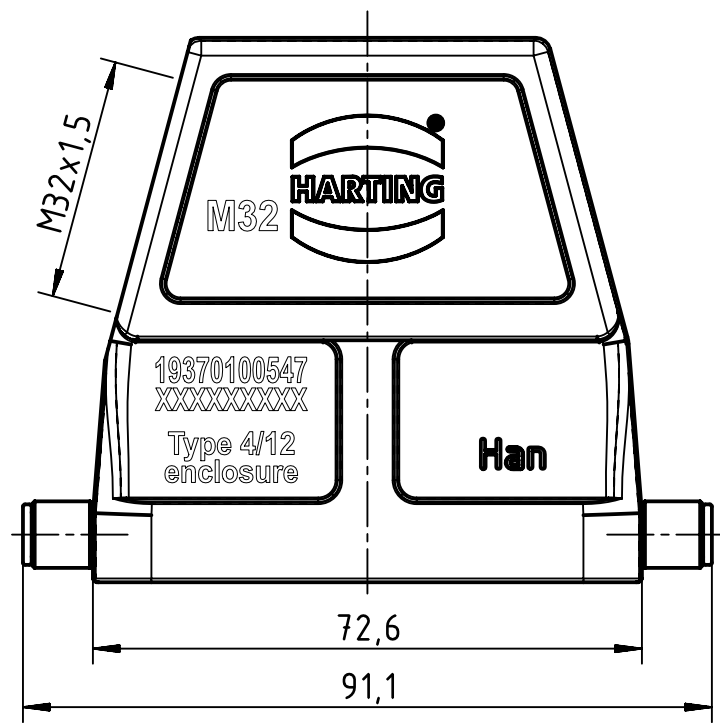
1 2 3 4 5 6

A

B

C

D



	All Dimensions in mm Original Size DIN A4		Scale 1:1	Free size tol.		Ref.		
						Sub.		
	All rights reserved		Created by SPRENB	Inspected by GERB	Standardisation GARSKE	Date 2020-03-04	State Final Release	
	Department EL PD		Title Han 10M-HSE-HC-for SL-M32				Doc-Key / ECM-Nr. 100820923/UGD/002/B 500000166968	
HARTING Electric GmbH & Co. KG D-32339 Espelkamp			Type TB	Number 19 37 010 0547			Rev. B	Page 1/1