

55,8
M25x1,5

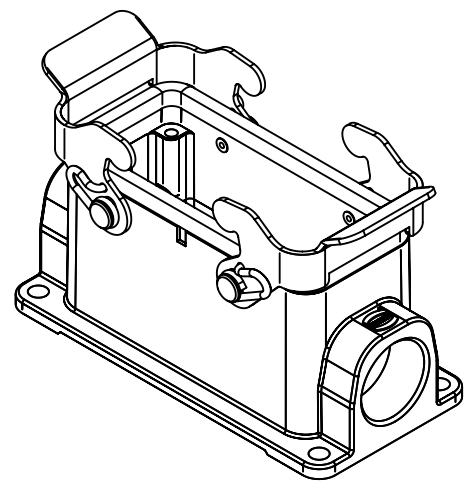
seal


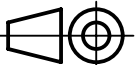
105
117

Ø5,6
10

19
4

45
57



| | | | | | | | | | | | | |
|--|-----------------------|--|---|--|--|--|--------------------------|--|-----------------|--|---------------------|--|
|  | All rights reserved | | Created by GRUBES | | Inspected by BERGHORN | | Standardisation TIEMANNA | | Date 2015-10-22 | | State Final Release | |
| | Department EL PD - DE | | Title Han M Base Surface LC 2 Levers 1x M25 | | Doc-Key / ECM-Nr. 100633909/UGD/002/A 500000094674 | | Rev. A | | Page 1/1 | | | |
| HARTING Electric GmbH & Co. KG D-32339 Espelkamp | | | Type TB | | Number 19 37 016 1231 | | | | | | | |
|  All Dimensions in mm Original Size DIN A4 | | | Scale 1:1 | | Free size tol. | | Ref. | | Sub. | | | |