

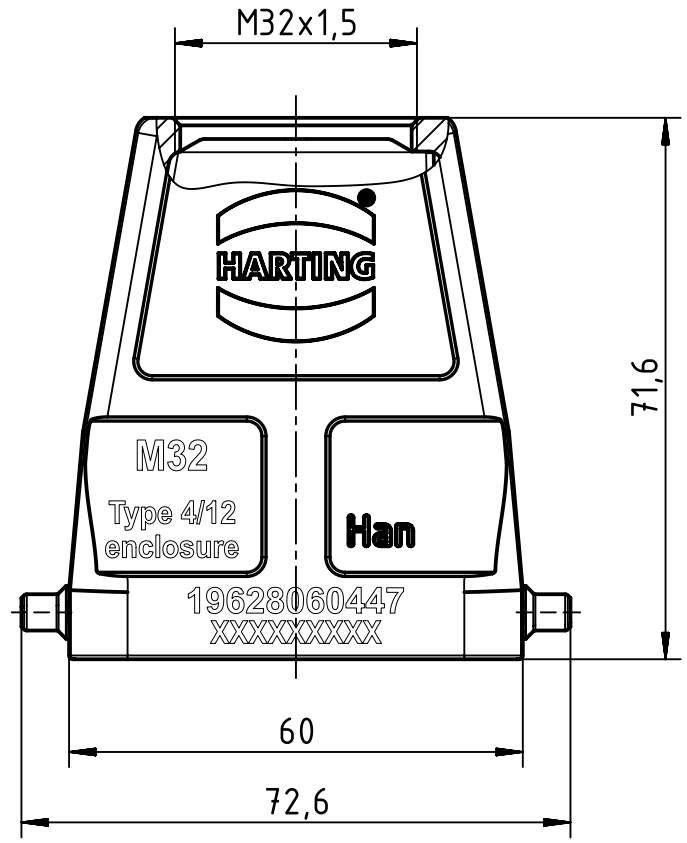
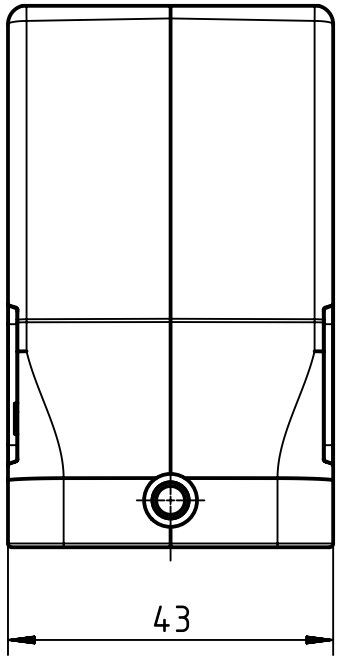
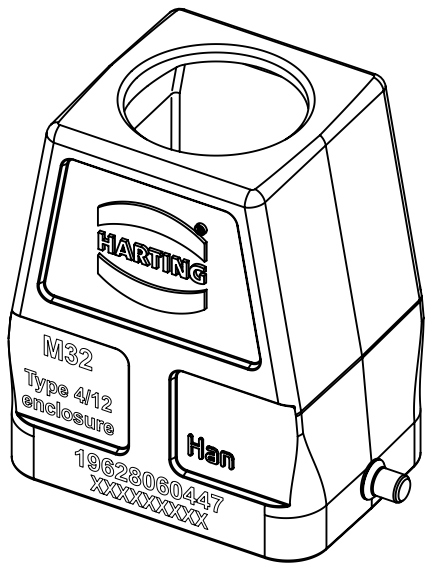
1 2 3 4 5 6

A

B

C

D



	All Dimensions in mm Original Size DIN A4		Scale 1:1	Free size tol.		Ref.	
			Created by SPRENB	Inspected by GERB	Standardisation TIEMANNA	Date 2018-12-05	State Final Release
All rights reserved Department EL PD		Title Han 6EMC/B-HTE-M32 (HT)				Doc-Key / ECM-Nr. 10009214.0/UGD/005/D 500000143686	
HARTING Electric GmbH & Co. KG D-32339 Espelkamp		Type TB Number 19 62 806 0447				Rev. D Page 1/1	