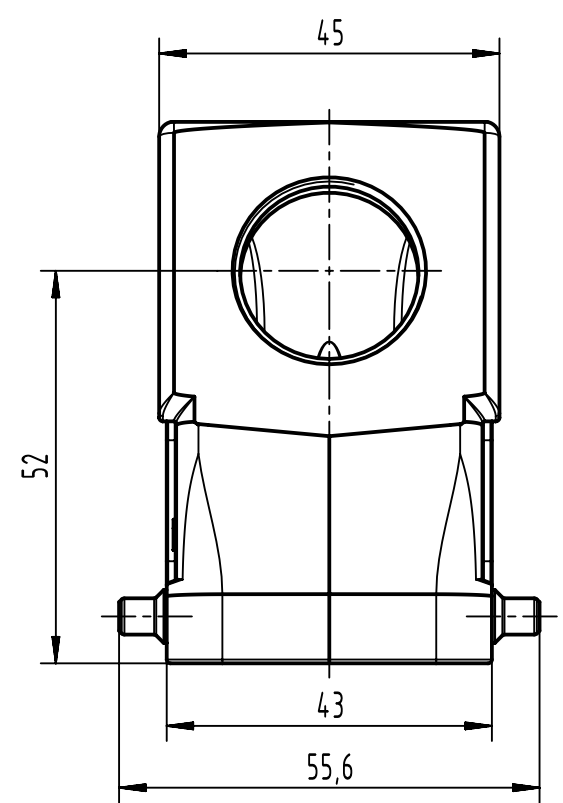
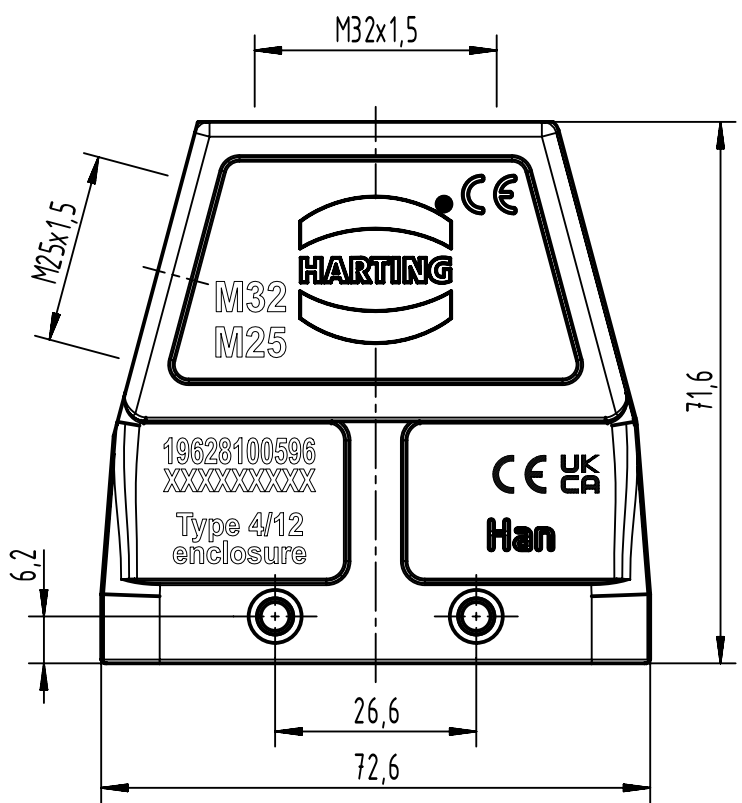
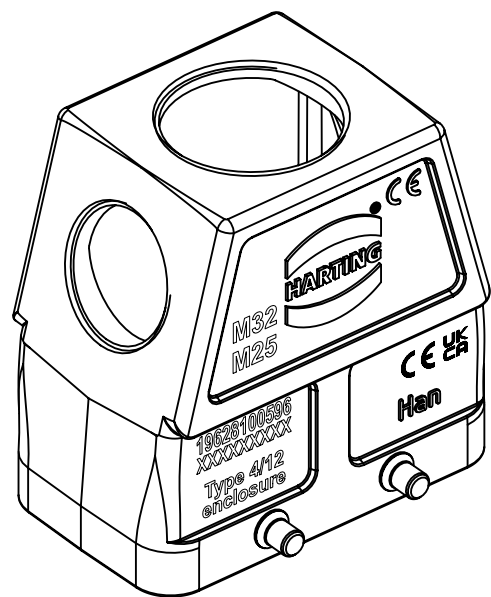


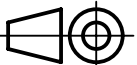

A

B

C

D



 All Dimensions in mm Original Size DIN A4		Scale 1:1		Free size tol.		Ref.		
 All rights reserved Department EL PD		Created by SPRENB	Inspected by GERB	Standardisation		Date 2023-07-12	State Final Release	
HARTING D-32339 Espelkamp		Title Han 10EMC/B-HSE-M25/HTE-M32 (HT)					Doc-Key / ECM-Nr. 100233082/UGD/002/F 500000248344	
		Type TB	Number 19 62 810 0596			Rev. F	Page 1/1	