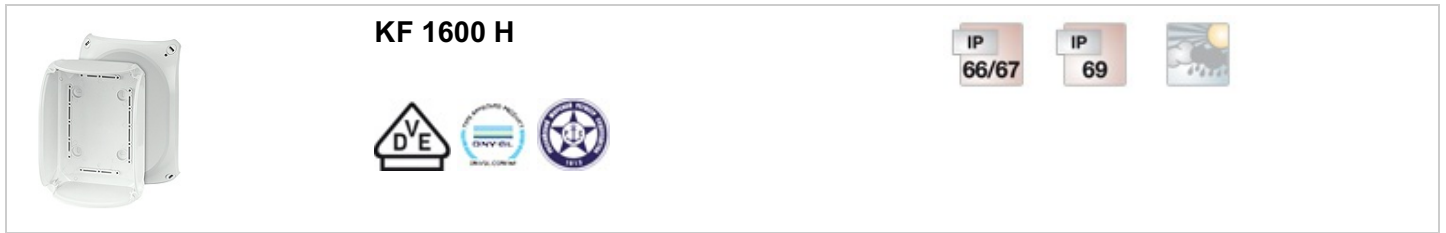


**"Weatherproof" for outdoor installation, box walls without knockouts**

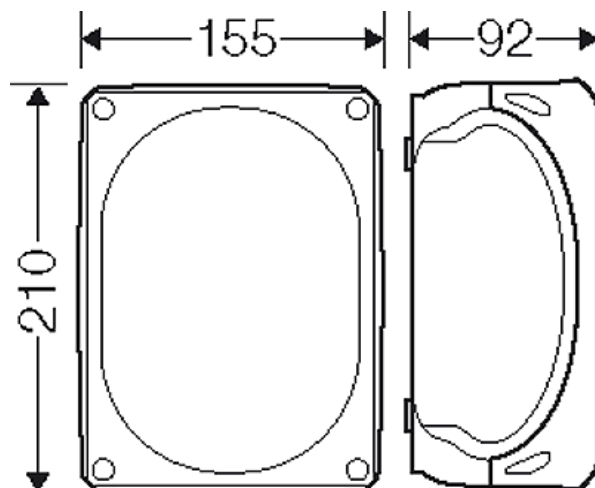


- without terminals
- box walls without knockouts
- wall surface can be drilled individually for cable entry max. M40
- with two cable entries M 32 from the rear side
- "weatherproof" resistant to weather influences (UV due to solar radiation, protected against rainwater, temperature resistant, impact resistant, etc.)
- saltwater-proof
- "offshore applications"
- lid fasteners sealable without accessories
- external brackets for wall fixing included
- colour: grey, RAL 7035

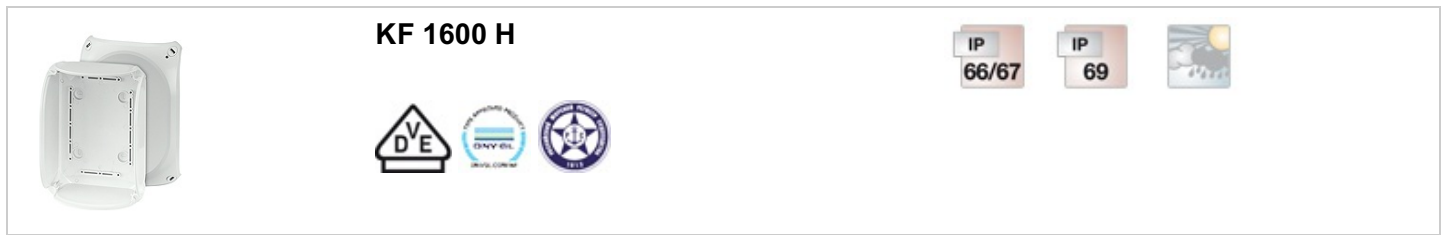
|                                   |  |
|-----------------------------------|--|
| wall thickness of the bottom part | 2,6 mm   |
| rated insulation voltage          | U <sub>i</sub> = 1000 V a.c./d.c.  |
| material                          | PC-GFS (polycarbonate)   |
| degree of protection              | IP 66 / IP 67 / IP 69<br>IP 67, temporary submersion up to 1 meter, max. 15 minutes<br>IP 69, water pressure max. 100 bar, water temperature max. 80 °C, distance ≥ 0.15 m |
| mounting width                    | 175 mm   |
| mounting height                   | 120 mm   |
| max. installation depth           | 76 mm  |
| width                             | 210 mm   |
| height                            | 155 mm   |
| depth                             | 92 mm  |
| weight                            | 0,418 kg   |
| in accordance with                | IEC 60670-22   |
| in accordance with                | DNV GL - Certificate No: TAE0000EE<br>Russian Maritime Register of Shipping, technical documentation is approved by the letter No. 250-A-1180-108795                       |

**Drawings**

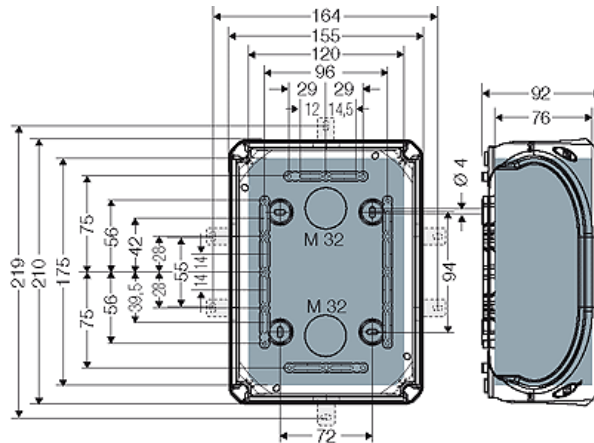
Dimension drawing



”Weatherproof“ for outdoor installation, box walls without knockouts



Detail mass



Box walls

**Operating and ambient conditions**

|  |   |
|--|---|
| Application area   | Suitable for outdoor installation (harsh environment and/or outdoor).<br>To reduce the formation and accumulation of condensed water see technical information.   |
| Resistant to occasional cleaning procedures (direct jet) | Resistance to occasional cleaning procedures (direct jet) with high-pressure cleaner without cleaning additives, water pressure: max 100 bar, water temperature: max 80 °C, distance ≥ 0.15 m, in accordance with DIN EN 60529:2014-09 (IEC 60529:2013) = IP 69. Only with cable entries HENSEL AKM or ASS. |
| Ambient temperature                                      | Average value over 24 hours + 55 °C<br>Maximum value + 70 °C<br>Minimum value - 25 °C   |
| Fire protection in the event of internal faults          | Demands placed on electrical devices from standards and laws<br>Minimum requirements<br>- Glow wire test in accordance with IEC 60695-2-11:<br>- 650°C for boxes and cable glands<br>- 850°C for parts of insulating material necessary to retain current carrying parts in position                        |
| Burning behaviour  | Glow wire test IEC 60695-2-11: 960 °C<br>UL Subject 94: V-0<br>flame-retardant<br>self-extinguishing  |
| Degree of protection against mechanical load             | IK09 (10 Joule)   |
| Toxic behaviour  | halogen-free<br>silicone-free<br>"halogen-free" in accordance with the examination of the cables and insulated wires - corrosiveness of fumes - as per IEC 60754-2  |
| Note:  | For material properties see technical data.   |