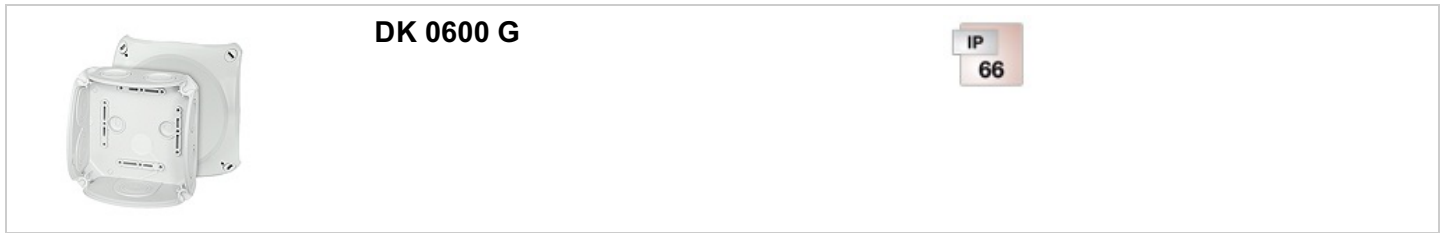


with or without terminals

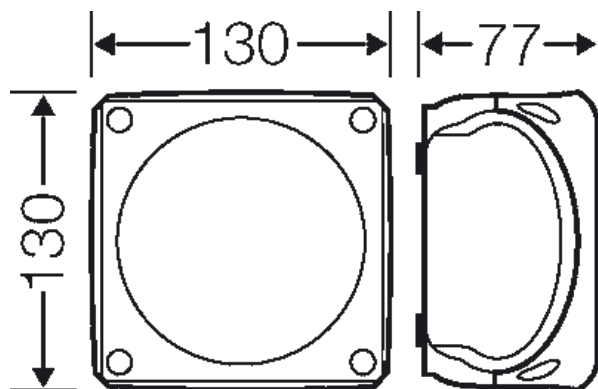


- without terminals
- with elastic membranes, which can be removed for cable entry via cable glands, sealing range 9.0-21.0 mm
- with one cable entry in the bottom, sealing range Ø 9.0-20.0 mm
- Lid fasteners sealable without accessories
- retaining strap and external brackets for wall fixing included
- Colour: grey, RAL 7035

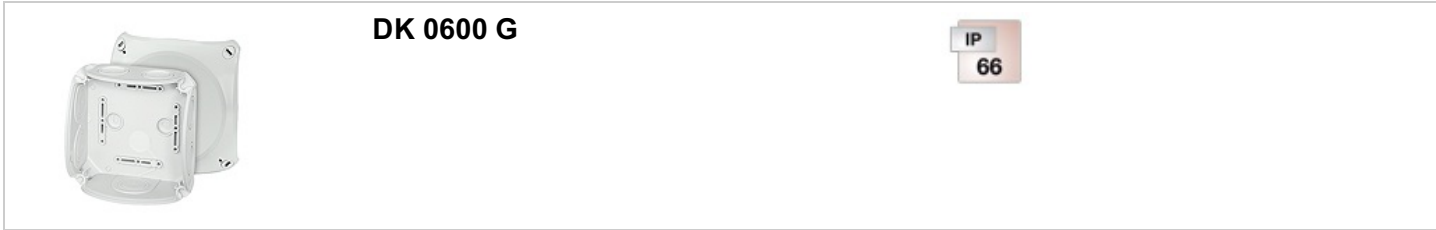
material	PP (polypropylene)
degree of protection:	IP 66
mounting width	102 mm
mounting height	102 mm
max. installation depth	62 mm
width	130 mm
height:	130 mm
depth	77 mm
Weight	0,176 kg
in accordance with	IEC 60670-22

Drawings

Dimension drawing



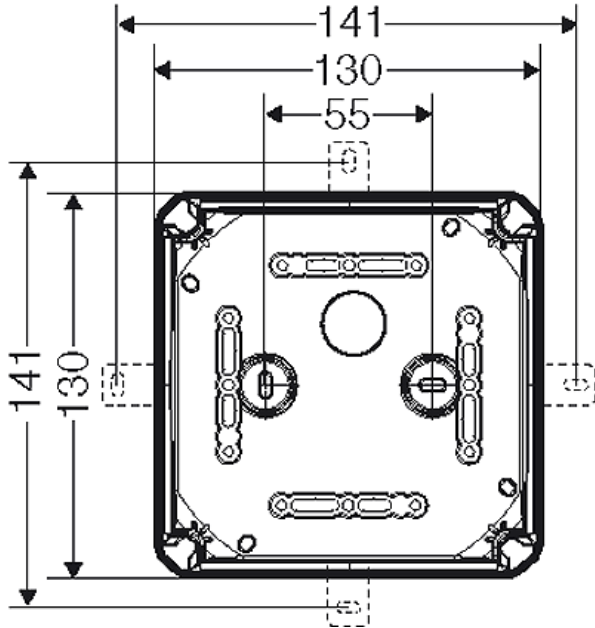
with or without terminals



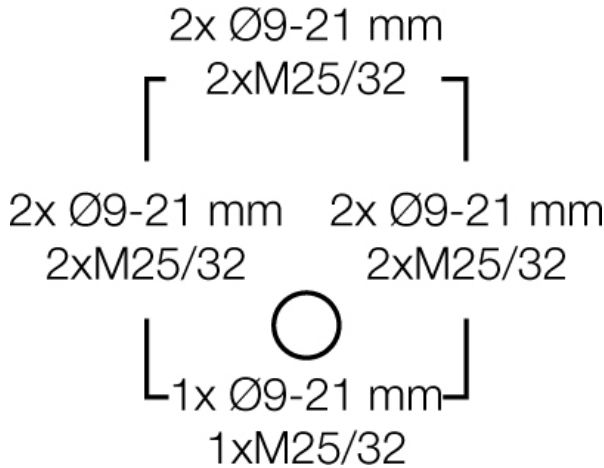
DK 0600 G

IP
66

Detail mass



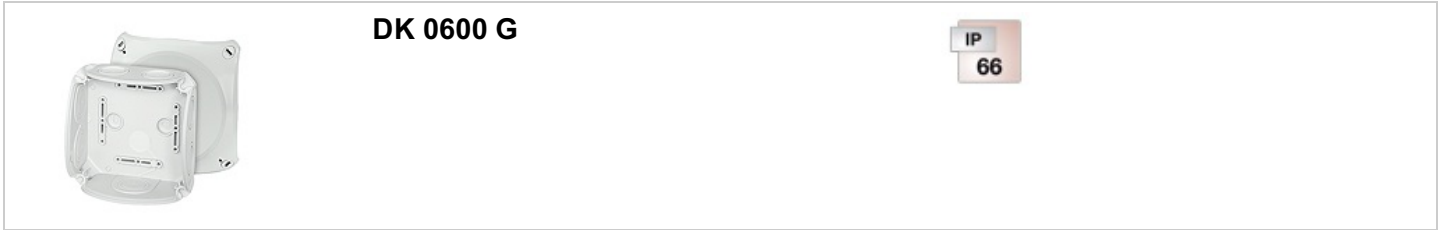
Box walls



Operating and ambient conditions

Application area	Suitable for indoor installation and outdoor installation, protected against weather influences
Ambient temperature	Maximum value + 40 °C Minimum value - 25 °C
Fire protection in the event of internal faults	Demands placed on electrical devices from standards and laws Minimum requirements - Glow wire test in accordance with IEC 60695-2-11: - 650°C for boxes and cable glands - 850°C for parts of insulating material necessary to retain current carrying parts in position
Burning behaviour	Glow wire test IEC 60695-2-11: 750 °C UL Subject 94: V-2 flame-retardant self-extinguishing

with or without terminals



Degree of protection against mechanical load	IK07 (2 Joule)
Toxic behaviour	halogen-free silicone-free "halogen-free" in accordance with the examination of the cables and insulated wires - corrosiveness of fumes - as per IEC 60 754-2
Note:	For material properties see technical data.