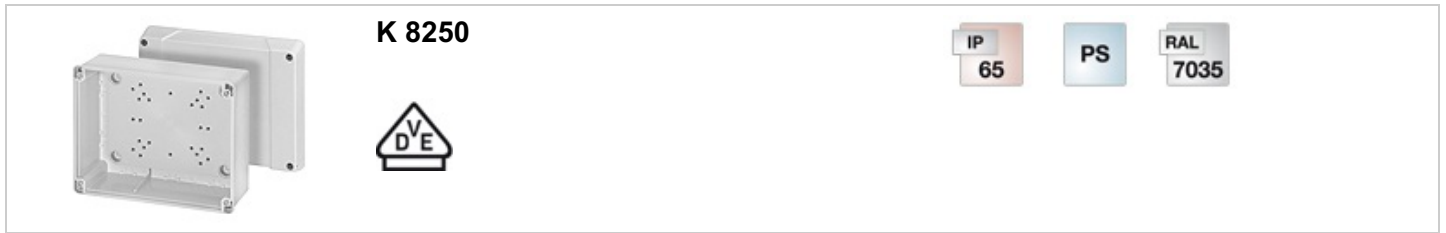


Cable junction boxes for harsh environment and outdoor with box walls without cable entries

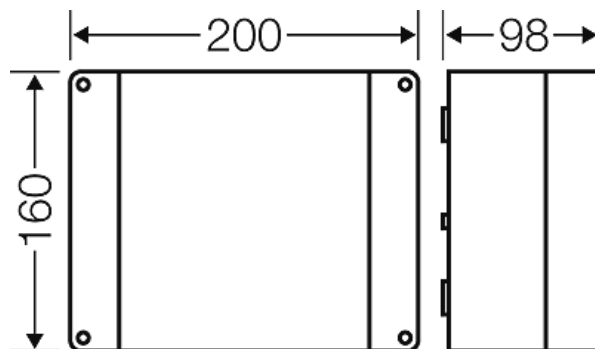


- without terminals
- box walls without knockouts
- wall surface can be drilled individually for cable entry max. M 40
- for normal environment and protected outdoor
- colour: grey, RAL 7035

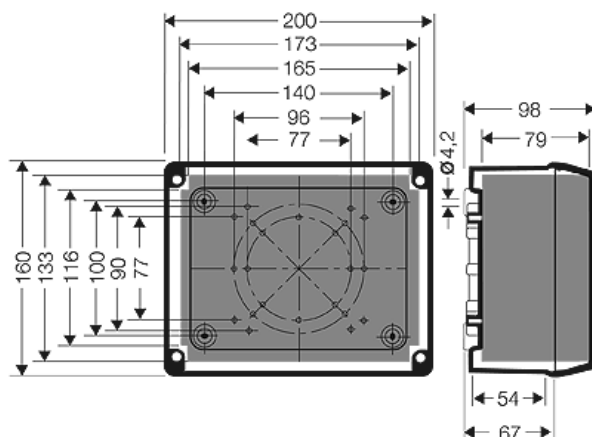
wall thickness of the bottom part	3 mm
Degree of protection:	IP 65
Material:	PS polystyrene thermoplastic
mounting width	173 mm
mounting height	133 mm
max. installation depth	79 mm
width	200 mm
height:	160 mm
depth	98 mm
Weight	0,431 kg
in accordance with	IEC 60 670-22

Drawings

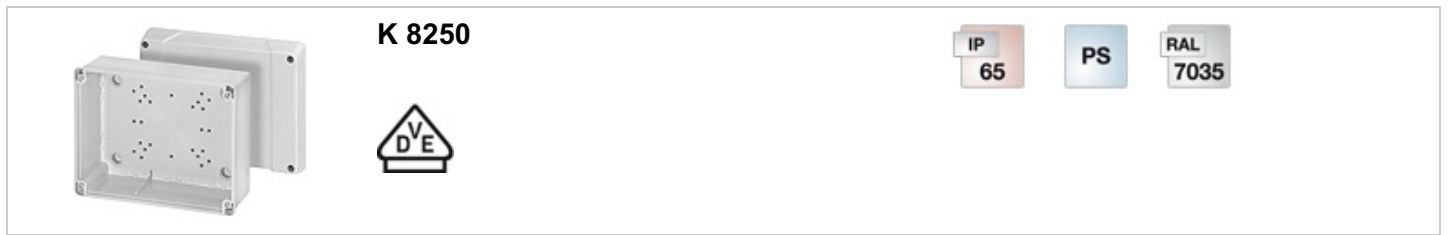
Dimension drawing



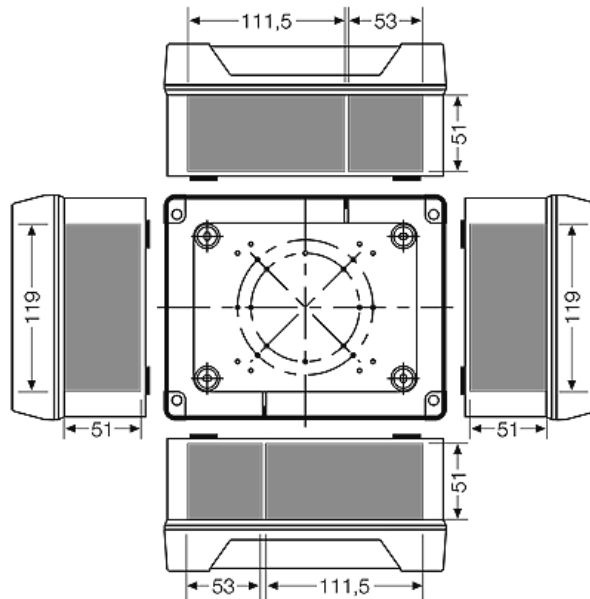
Detail mass



Cable junction boxes for harsh environment and outdoor with box walls without cable entries



box walls



Operating and ambient conditions

Application area	Suitable for indoor installation and outdoor installation, protected against weather influences
Resistant to occasional cleaning procedures (direct jet)	Resistant to occasional cleaning procedures (direct jet) with high-pressure cleaner without additives, water pressure: max. 100 bar, water temperature: max. 80° C, distance => 0,15 m, in accordance with the requirements IP 69K, enclosure and cable glands at least IP 65
Ambient temperature	Maximum value + 40 °C Minimum value - 25 °C
Fire protection in the event of internal faults	Demands placed on electrical devices from standards and laws Minimum requirements - Glow wire test in accordance with IEC 60 695-2-11: - 650°C for boxes and cable glands - 850°C for parts of insulating material necessary to retain current carrying parts in position
Burning behaviour	Glow wire test IEC 60 695-2-11: 750 °C UL Subject 94: V-2 flame resistant self-extinguishing
Degree of protection against mechanical load	IK07 (2 Joule)
Toxic behaviour	halogen-free silicone-free "halogen-free" in accordance with the examination of the cables and insulated wires - corrosiveness of fumes - as per IEC 754-2

Note: For material properties see technical data.