

Safety Valves

Type 06205

Safety Valves, brass,
type tested TÜV-SV.1090 S/G

Standard safety valve
with FPM or PTFE valve seal, open bonnet,
with discharge holes, with lifting device
Inlet: male thread type G (BSPP) acc. to ISO 228/1

Part No. 06205.X.0000 with FPM seal (0.2 up to 35.0 bar)
Part No. 06205.X.0300 with PTFE seal (35.0 up to 43.0 bar)

Available options - on request only:

- stainless steel spring - material 1.4571
- external parts nickel plated
- stainless steel protection cap for D₀7 and D₀12 (up to 3.5 bar)
- EPDM seal up to +150°C / +302°F (423K)

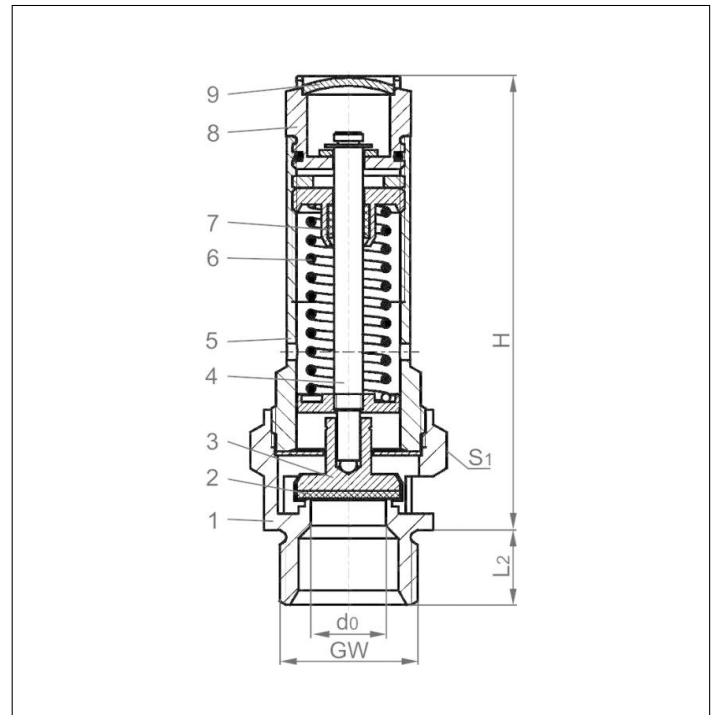
Applications:

Provided as safety device for protection against excessive pressure in stationary and moveable gas cylinders and pressure vessels. Approved for air and similar gases.

Working temperature: -20°C / -4°F (253K) up to +160°C / +320°F (433K), size d₀7 suitable for horizontal installation



Materials	DIN EN	ASME/ASTM
1 Body	CW614N	B 249 UNS C38500
2 Valve seal	FPM (Viton)	
3 Disc	CW614N	B 249 UNS C38500
4 Stem	CW614N	B 249 UNS C38500
5 Bonnet	CW614N	B 249 UNS C38500
6 Spring	1.1200	A 227
7 Stem guide	PTFE	
8 Lifting device	CW614N	B 249 UNS C38500
9 Closing cap	CW507L	B 36 UNS C26800



Type 06205	Technical data							
Nominal size	GW	1/4	3/8	1/2	1/2	3/4	1	1-1/4
Orifice	d ₀	7	7	7	12	15	18	20
Dimension code	.X.	0200	0300	0704	0400	0600	1000	1200
Set pressure range	bar	0.4-43	0.4-43	0.4-43	0.2-22	0.2-16	0.2-18	0.2-16
Height	H	60	60	67	78	92	110	125
Length	L ₂	10	10	12	12	15	18	20
Wrench size across flats	S ₁	21	21	24	27	32	41	48
Weight	ca. kg	0.07	0.07	0.17	0.17	0.27	0.48	0.75
Coeff. of discharge from 3.0 bar	α _w	0.60	0.60	0.60	0.47	0.63	0.63	0.63

Dimensions in mm.

Safety Valves

Type 06205



Discharge capacities

Calculation of flow rate acc. to AD2000-Merkblatt A2

Medium:

Air in m³/h at 0°C and 1013.25 mbar

The capacity indicated below is for a fully opened valve.

d₀ - orifice

A₀ - flow area

Set pressure in bar (g)	GW	1/4, 3/8 & 1/2	1/2	3/4	1	1-1/4
	d ₀ (mm)	7.0	12.0	15.0	18.0	20.0
A ₀ (mm ²)	38.48	113.1	176.7	254.5	314.2	
Medium	Air					
0.2		-	30	60	87	107
0.4		19	42	85	122	151
0.6		24	52	105	151	186
0.8		28	61	124	179	221
1.0		32	70	142	205	253
2.0		51	114	240	345	426
3.0		68	157	328	472	583
4.0		85	196	411	592	731
5.0		103	237	496	714	882
6.0		120	277	580	835	1031
7.0		138	317	664	956	1180
8.0		155	358	750	1080	1333
9.0		173	398	834	1201	1482
10.0		191	439	920	1324	1635
11.0		206	475	994	1432	1768
12.0		226	519	1088	1567	1934
14.0		261	600	1256	1809	2234
16.0		296	680	1425	2052	2533
18.0		330	761	-	2294	-
20.0		369	849	-	-	-
22.0		404	930	-	-	-
25.0		457	-	-	-	-
27.0		492	-	-	-	-
30.0		550	-	-	-	-
32.0		586	-	-	-	-
34.0		621	-	-	-	-
36.0		657	-	-	-	-
38.0		693	-	-	-	-
40.0		735	-	-	-	-
42.0		770	-	-	-	-
43.0		788	-	-	-	-