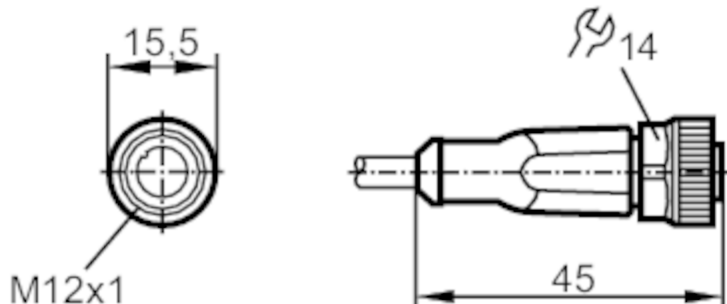


# EVC533



## Connecting cable with socket

ADOGH050MSS0005C05



| Application                          |  |
|--------------------------------------|--|
| Special feature                      | Free from silicone; Halogen-free; Gold-plated contacts; Screened cable; Drag chain suitability |
| Free from silicone                   | yes  |
| Electrical data                      |  |
| Operating voltage [V]                | < 30 AC / < 36 DC  |
| Protection class                     | III  |
| Max. current load total [A]          | 4  |
| Overall current rating (UL) [A]      | 3  |
| Operating conditions                 |  |
| Ambient temperature [°C]             | -25...90   |
| Note on ambient temperature          | cULus: ...75   |
| Ambient temperature (moving) [°C]    | -25...90   |
| Note on ambient temperature (moving) | cULus: ...75   |
| Protection                           | IP 65; IP 67; IP 68; IP 69K  |

# EVC533



## Connecting cable with socket

ADOGH050MSS0005C05

| Mechanical data        |                                   |  |
|------------------------|-----------------------------------|--|
| Weight [g]             | 208.3                             |  |
| Dimensions [mm]        | 15.5 x 15.5 x 45                  |  |
| Materials              | housing: TPU orange; Sealing: FKM |  |
| Material nut           | brass, nickel-plated              |  |
| Drag chain suitability | yes                               |  |
| Drag chain suitability | bending radius for flexible use   | min. 10 x cable diameter   |
|                        | travel speed                      | max. 3.3 m/s for a horizontal travel length of 5 m and max. acceleration of 5 m/s <sup>2</sup> |
|                        | bending cycles                    | ≥ 2 Mio.   |
|                        | torsional strain                  | ± 180 °/m  |
|                        |                                   |  |

| Remarks       |        |
|---------------|--------|
| Pack quantity | 1 pcs. |

**Electrical connection**  
Cable: 5 m, PUR, Halogen-free, black, Ø 4.9 mm, shielded; 5 x 0.25 mm<sup>2</sup> (32 x Ø 0.1 mm )

**Electrical connection - socket**  
Connector: 1 x M12, straight; coding: A; Locking: brass, nickel-plated; Contacts: gold-plated; Tightening torque: 0.6...1.5 Nm;  
Shielded connection cable: screen not connected



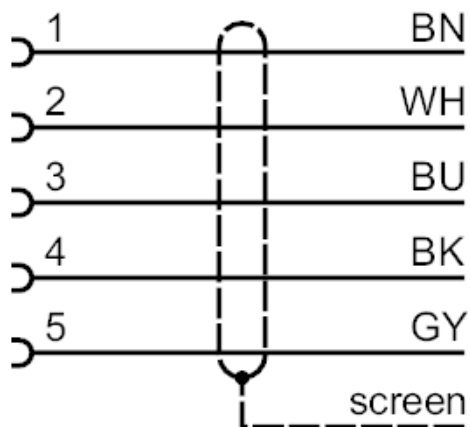
# EVC533



## Connecting cable with socket

ADOGH050MSS0005C05

### Connection



Core colours :

|      |       |
|------|-------|
| BK = | black |
| BN = | brown |
| BU = | blue  |
| GY = | grey  |
| WH = | white |