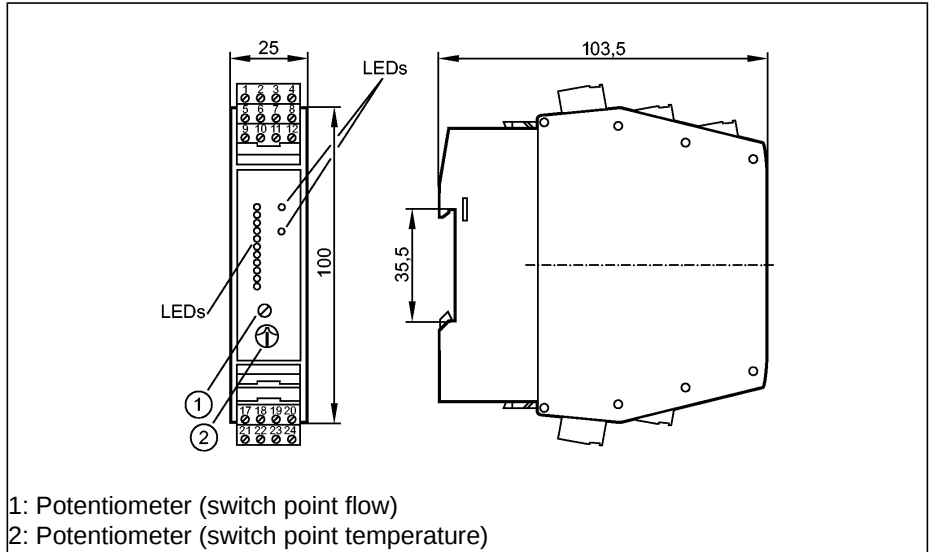


Evaluation systems

**SR0150**

VS3000  
Control monitor for flow sensors  
Mounting on DIN rail

Electrical connection by means of  
Combicon connectors with screw  
terminals (fitted)  
Connection: 1 sensor



1: Potentiometer (switch point flow)  
2: Potentiometer (switch point temperature)

Made in Germany



<b>Application</b>	
<b>Electrical design</b>	
<b>Output</b>	
Operating voltage	[V]
Voltage tolerance	[%]
Contact rating	
Short-circuit proof	
Reverse polarity protection	
Overload protection	
Current consumption	[mA]
<b>Switching function</b>	
Flow monitoring	
Function display	
Adjustment of the switch point	
Selection liquids / gases	
<b>Switching function</b>	
Temperature monitoring	
Output status indication	LED
Switch point setting	
Temperature range	
Repeatability switch point / measured value	[K]
<b>Switching function</b>	
Wire break monitoring	
Output status indication	LED
Response time	[s]

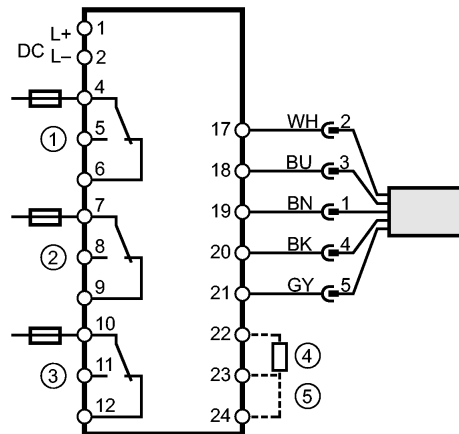
<b>flow, temperature and wire break monitoring</b>	
<b>DC relay</b>	
24 DC	
+10 / -20	
4 A (250 V AC / 30 V DC)	
no	
no	
no	
90	
relay energised when flow is present and during the power-on delay time	
11 LED	
with pot.	
link terminals 23-24 **)	
relay energised when temperature is exceeded	
red	
with pot.	
0...80	
± 4	
relay de-energised in case of wire break or short circuit	
red	
max. 3	

**SR0150**

Power-on delay time [s]	10...80 *)
Undervoltage monitoring	In case of undervoltage all relays are de-energised, the LED "LOW VOLTAGE/WIRE BREAK-RELAY" lights
Ambient temperature [°C]	-20...60 ***)
Protection	IP 20, III
MTTF [Years]	263
Housing materials	PBT
Connection	Combicon connector
Weight [kg]	0.216
Remarks	<p>*) adjustable (fixed-value resistors terminals 22-23)</p> <p>**) Factory setting: Monitoring of liquids. For monitoring of gases: Link terminals 23 / 24.</p> <p>***) in case of sufficient free space for convection cooling</p> <p>Recommendation: check the unit for reliable function after a short circuit.</p>

**Wiring**

- Core colours
- BN brown
  - BU blue
  - BK black
  - WH white
  - GY grey



- 1 = Flow monitoring
- 2 = Wire break monitoring
- 3 = Temperature monitoring
- 4 = Power-on delay time
- 5 = Selection liquid / gas

Note: miniature fuse to IEC60127-2 sheet 1, ≤ 5 A (fast acting)