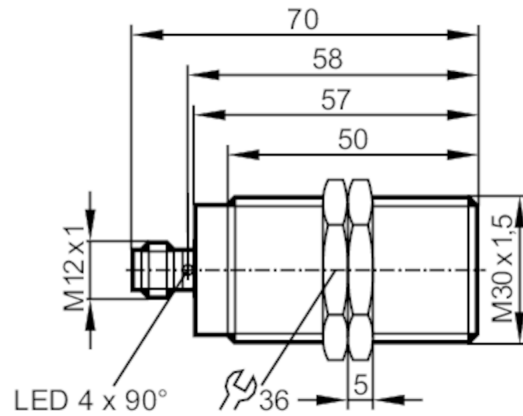


II504A



Inductive full-metal sensor

IIK3010-BPKG/AM/US104DPS/2D/3G



Product characteristics

| | | |
|-------------------|------|--------------------|
| Electrical design | | PNP |
| Output function | | normally open |
| Sensing range | [mm] | 10 |
| Housing | | threaded type |
| Dimensions | [mm] | M30 x 1.5 / L = 70 |

Application

| | | |
|-------------------------|-------|--|
| Special feature | | Gold-plated contacts; Full-metal housing |
| Pressure rating | [bar] | 100 |
| Note on pressure rating | | sensing face |

Electrical data

| | | |
|-----------------------------|------|------------|
| Operating voltage | [V] | 10...36 DC |
| Current consumption | [mA] | < 20 |
| Protection class | | III |
| Reverse polarity protection | | yes |

Outputs

| | | |
|---|------|---------------|
| Electrical design | | PNP |
| Output function | | normally open |
| Max. voltage drop switching output DC | [V] | 2.5 |
| Permanent current rating of switching output DC | [mA] | 40 |
| Switching frequency DC | [Hz] | 50 |
| Short-circuit protection | | yes |
| Type of short-circuit protection | | pulsed |
| Overload protection | | yes |

Detection zone



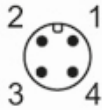
| | | |
|--------------------|------|---------|
| Sensing range | [mm] | 10 |
| Operating distance | [mm] | 0...8.1 |

II504A



Inductive full-metal sensor

IIK3010-BPKG/AM/US104DPS/2D/3G

| Accuracy / deviations | | |
|---|---|---------------------|
| Correction factor | steel: 1 / stainless steel: 0.7 / brass: 0.8 / aluminium: 0.6 / copper: 0.3 | |
| Hysteresis [% of Sr] | 1...20 | |
| Operating conditions | | |
| Ambient temperature [°C] | -40...60 | |
| Protection | IP 67; (when used outside the hazardous area: IP 65, IP 66, IP 67, IP 68, IP 69K) | |
| Tests / approvals | | |
| Approval | BVS 12 ATEX E 045 X; IECEx BVS 12.0030 X | |
| ATEX marking |  II 3G Ex nA IIC T6 Gc | |
| |  II 2D Ex tb IIIC T85°C Db IP67 | |
| EMC | EN 61000-4-2 ESD | 4 kV CD / 8 kV AD |
| | EN 61000-4-3 HF radiated | 10 V/m |
| | EN 61000-4-4 Burst | 2 kV |
| | EN 61000-4-6 HF conducted | 10 V |
| | EN 55011 emission | class B |
| MTTF [years] | 1258 | |
| Mechanical data | | |
| Weight [g] | 159.3 | |
| Housing | threaded type | |
| Mounting | flush mountable | |
| Dimensions [mm] | M30 x 1.5 / L = 70 | |
| Thread designation | M30 x 1.5 | |
| Materials | stainless steel (1.4404 / 316L); PEI; lock nuts: stainless steel | |
| Full-metal housing | yes | |
| Displays / operating elements | | |
| Display | switching status | 4 x 90° LED, yellow |
| Accessories | | |
| Items supplied | lock nuts: 2 | |
| Remarks | | |
| Remarks | Note: for use in hazardous areas A fuse must be connected between the current source and the unit. (40 mA time lag, to EN 60127-2) The fuse must be inserted in the circuit L+ outside the hazardous areas. | |
| Pack quantity | 1 pcs. | |
| Electrical connection - plug | | |
| Connector: 1 x M12; Contacts: gold-plated | | |
|  | | |

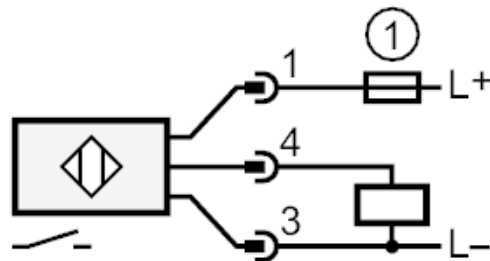
II504A



Inductive full-metal sensor

IIK3010-BPKG/AM/US104DPS/2D/3G

Connection



1 = fuse