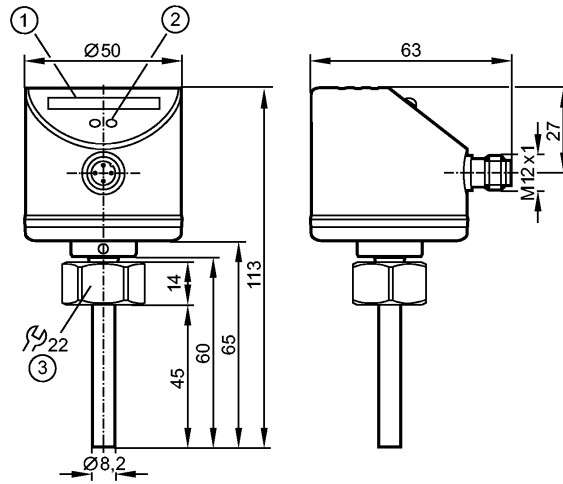


SI5010

SID10ADBFPKG/US-100

Flow sensors



- 1: LED display
- 2: setting pushbutton
- 3: tightening torque 25 Nm

Made in Germany



Product characteristics

Flow monitor	
Compact type for adapter	
Process connection: internal thread M18 x 1.5 for adapter	
Pressure rating: 300 bar	
Setting range: 3...300 cm/s	

Application

Application	liquids and gases
Medium temperature [°C]	-25...80

Electrical data

Electrical design	DC PNP
Operating voltage [V]	18...36 DC
Current consumption [mA]	< 60
Protection class	III
Reverse polarity protection	yes

Outputs

Output function	normally open / closed programmable
Current rating [mA]	250
Voltage drop [V]	< 2.5
Short-circuit protection	pulsed
Overload protection	yes

Measuring / setting range

Liquids	
Setting range [cm/s]	3...300
Greatest sensitivity [cm/s]	3...100
Gases	
Setting range [cm/s]	200...3000
Greatest sensitivity [cm/s]	200...800

Accuracy / deviations

SI5010

SID10ADBFPKG/US-100

Flow sensors

Switch point accuracy	[cm/s]	$\pm 2... \pm 10$ *)
Hysteresis	[cm/s]	2...5 *)
Repeatability	[cm/s]	1...5 *)
Max. temperature gradient of medium	[K/min]	300

Reaction times

Power-on delay time	[s]	10
Response time	[s]	1...2 ***) / 1...10 ****)

Software / programming

Adjustment of the switch point	pushbuttons
--------------------------------	-------------

Environment

Pressure rating	[bar]	300
MAWP (for applications according to CRN)	[bar]	208
Ambient temperature	[°C]	-25...80
Storage temperature	[°C]	-25...100
Protection		IP 67

Tests / approvals

EMC	DIN EN 61000-6-2 DIN EN 61000-6-3
Shock resistance	DIN EN 60068-2-27: 50 g (11 ms)
Vibration resistance	DIN EN 60068-2-6: 20 g (55...2000 Hz)
MTTF	[Years] 298

Mechanical data

Process connection	internal thread M18 x 1.5 for adapter
Materials (wetted parts)	stainless steel 316L / 1.4404; O-ring: FKM 8 x 1.5 gr 80° Shore A
Housing materials	stainless steel (304S15); PC (polycarbonate); PBT-GF 20; EPDM/X
Weight	[kg] 0.235

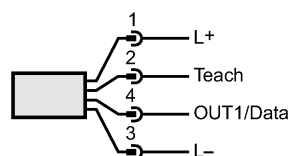
Displays / operating elements

Function display	LED	10 LEDs, three-colour
------------------	-----	-----------------------

Electrical connection

Connection	M12 connector
------------	---------------

Wiring



OUT1 / Data = switching signal for flow limit value and data channel for bidirectional communication
Teach = input for teach signal

Remarks

Remarks	<p>*) for water; 5...100 cm/s; 25°C (factory setting) **) for water; 5...100 cm/s; 10...70°C ***) for liquids and temperature gradient 1 K/min ****) for gases</p>
---------	-----------------------------------------------------------------------------------------------------------------------------------------------------------------------------------------------------------------------------------



SI5010

SID10ADBFPKG/US-100

Flow sensors

Pack quantity	[piece]	1
---------------	---------	---

Other data

Temperature drift [cm/s x 1/K]	0.1 (**)
--------------------------------	----------