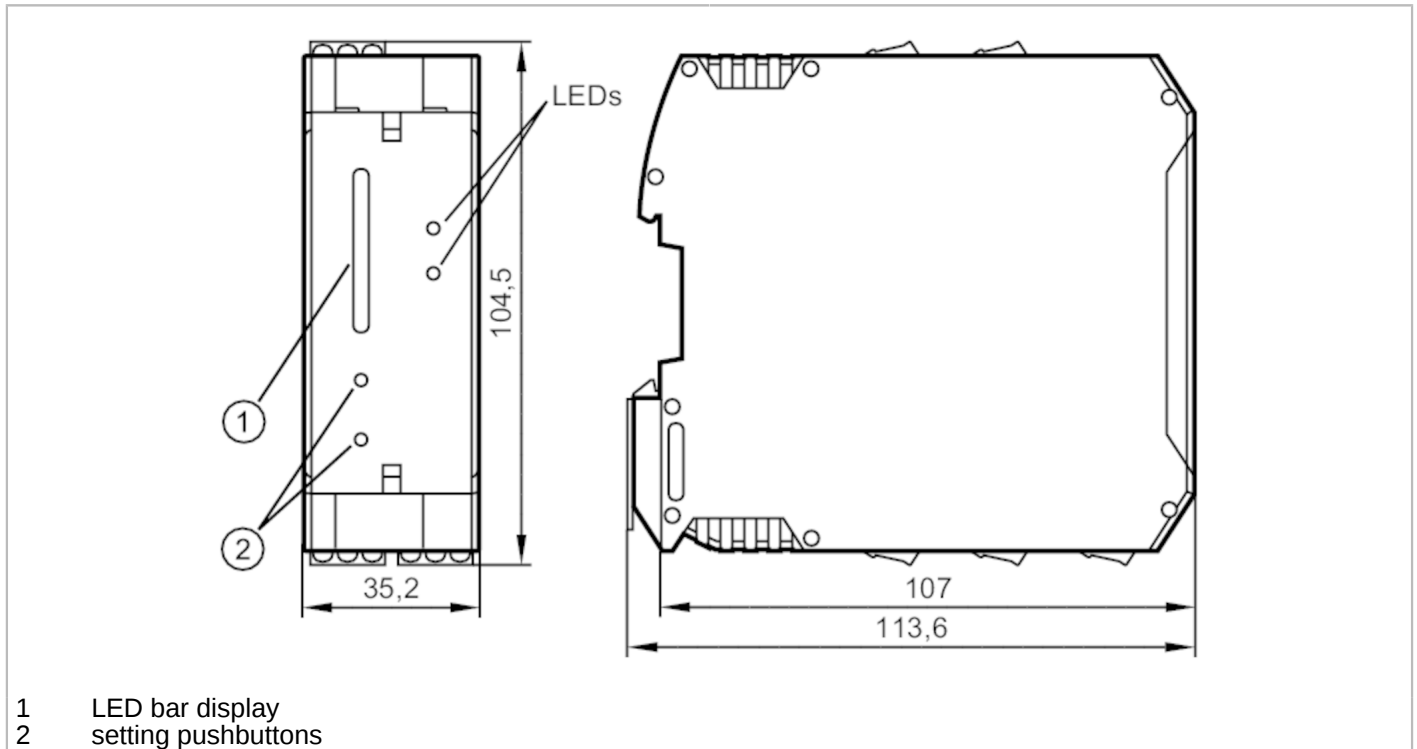


# SR307A



## Control monitor for flow sensors

VS4000/24VDC/EXI/1G



- 1 LED bar display
- 2 setting pushbuttons




Application	
Application	Flow monitoring; Temperature monitoring; Wire monitoring
Electrical data	
Operating voltage tolerance [%]	-15...15
Operating voltage [V]	24 DC
Current consumption [mA]	100
Reverse polarity protection	no
Power-on delay time [s]	10
Number of channels	1
Outputs	
Performance in case of a fault	Relay de-energised in case of the following faults: wire break, reverse polarity or short circuit of the sensor cable, undervoltage, internal fault
Electrical design	relay
Contact rating	4 A (250 V AC cos phi > 0,7) ; 0,2 A (250 V DC); 4 A (24 V DC)
Switching function flow monitoring	relay energised when flow is present
Switching function temperature monitoring	relay de-energised when temperature is exceeded
Short-circuit proof	no
Overload protection	no
Software / programming	
Adjustment of the switch point	programming buttons

# SR307A



## Control monitor for flow sensors

VS4000/24VDC/EXI/1G

Operating conditions		
Ambient temperature [°C]	-20...60	
Storage temperature [°C]	-25...80	
Protection	IP 20	
Protection rating terminals	IP 20	
Tests / approvals		
Approval	ZELM 11 ATEX 0466; IECEx ZLM 11.0004	
ATEX marking	 II (1) G [Ex ia Ga] IIC	
MTTF [years]	124	
Mechanical data		
Weight [g]	369	
Housing	housing for DIN rail mounting	
Dimensions [mm]	104.5 x 32.5 x 113.6	
Materials	PA	
Displays / operating elements		
Display	fault	LED, red
	function	LED, bar graph
	switching status	LED, yellow
Electrical connection		
Required protection	miniature fuse to IEC60127-2 sheet 1; ≤ 5 A; fast acting; Place the fuse outside the hazardous area.	
Remarks		
Remarks	Caution The control monitor must be mounted outside the hazardous area. Recommendation Check the safe functioning of the unit after a short circuit.	
Pack quantity	1 pcs.	

# SR307A



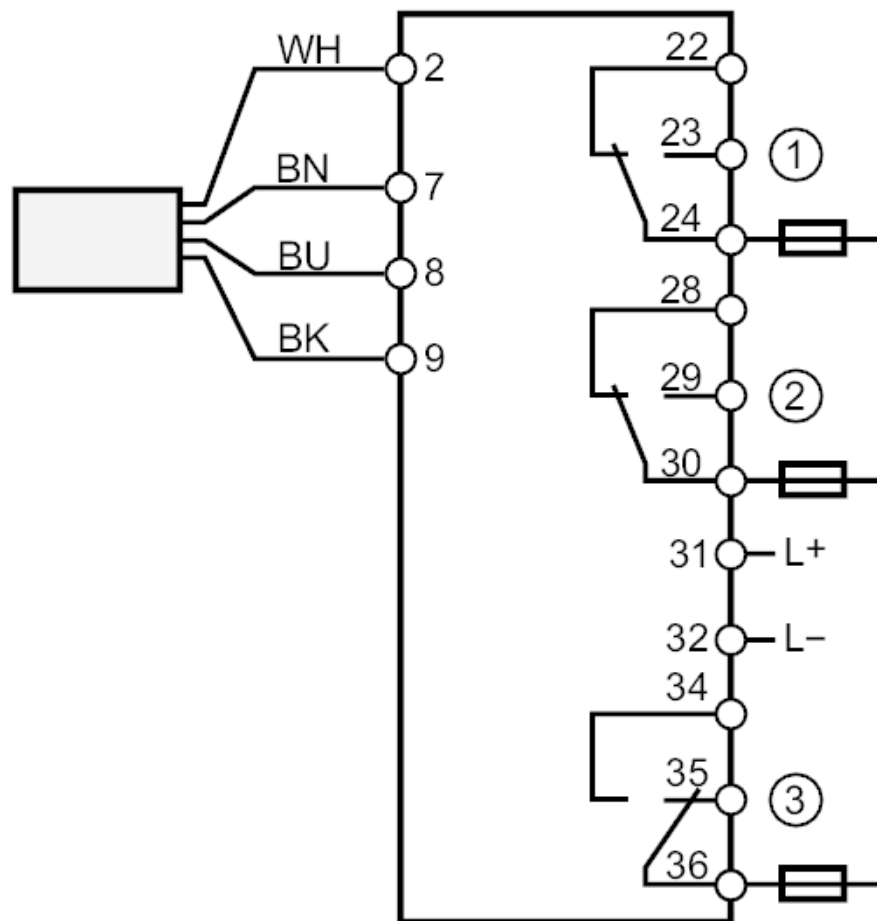
## Control monitor for flow sensors

VS4000/24VDC/EXI/1G

### Electrical connection

terminals: 15 x ...2.5 mm<sup>2</sup>

### Connection



1 Flow monitoring

2 fault monitoring

3 Temperature monitoring

Note miniature fuse to IEC60127-2 sheet 1 ≤ 5 A fast acting

Place the fuse outside the hazardous area.

Core colours :

BK = black

BN = brown

BU = blue

WH = white

# SR307A



## Control monitor for flow sensors

VS4000/24VDC/EXI/1G

### Other data

#### Maximum values for control circuit

in protection rating intrinsic safety	[EEx ia] IIC	[EEx ia] IIB	[EEx ib] IIC	[EEx ib] IIB
Voltage [V]	9.6	9.6	9.6	9.6
Current [mA]	332	332	332	332
Power [mW]	531	531	531	531
External inductance [mH]	0.7	3	0.7	3
External capacitance [ $\mu$ F]	3.15	27.55	3.15	27.55