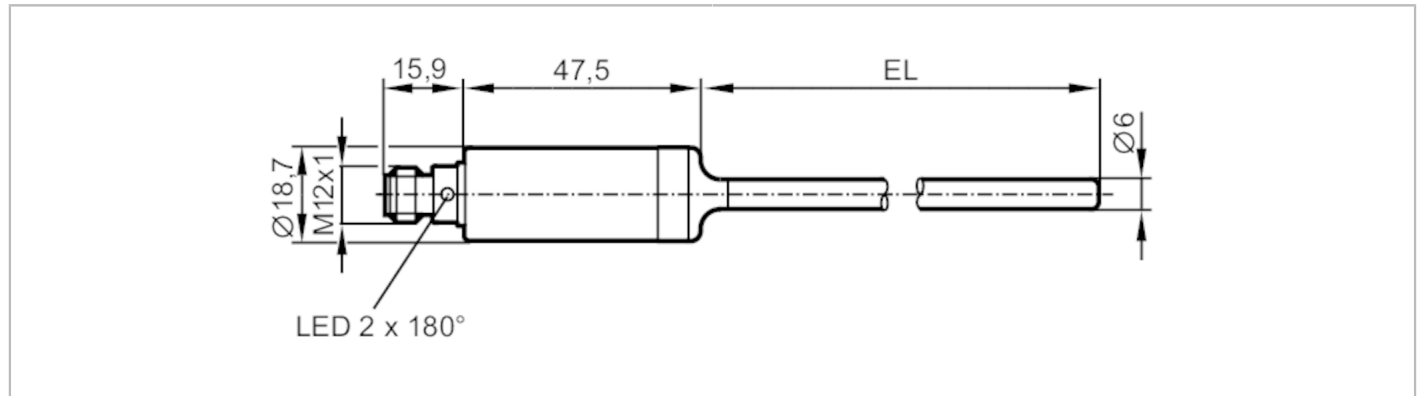


TA2292



Temperature transmitter

TA-350CLEd06-- /US



Product characteristics

Number of inputs and outputs	Number of analogue outputs: 1
Measuring range [°C]	-50...200
Process connection	diameter Ø 6 mm
Installation length EL [mm]	350

Application

Measuring element	1 x Pt 1000; (to DIN EN 60751, class A)
Media	liquids and gases
Pressure rating [bar]	160
Vacuum resistance [mbar]	-1000

Electrical data

Operating voltage [V]	18...32 DC; ("supply class 2" to cULus)
Current consumption [mA]	< 50
Protection class	III
Reverse polarity protection	yes
Power-on delay time [s]	2

Inputs / outputs

Number of inputs and outputs	Number of analogue outputs: 1
------------------------------	-------------------------------

Outputs

Total number of outputs	1
Output signal	analogue signal; IO-Link; (configurable)
Number of analogue outputs	1
Analogue current output [mA]	4...20
Max. load [Ω]	250; ((18...19 V); 19...32 V: 300 Ω)
Short-circuit protection	yes
Overload protection	yes

Measuring/setting range

Measuring range [°C]	-50...200
Factory setting	0...200 °C

TA2292



Temperature transmitter

TA-350CLE06-- /US

Resolution		
Resolution of analogue output [K]	0.04	
Accuracy / deviations		
Precision analogue output [K]	$\pm 0,3 + (\pm 0,1 \% \text{ MS})$	
Temperature coefficient [% of the span / 10 K]	0,1; (in case of deviation from the reference condition $25 \pm 5 \text{ }^\circ\text{C}$)	
Response times		
Dynamic response T05 / T09 [s]	$< 0,5 / < 2$	
Interfaces		
Communication interface	IO-Link	
Transmission type	COM2 (38,4 kBaud)	
IO-Link revision	1.1	
Operating conditions		
Ambient temperature [°C]	-25...80	
Note on ambient temperature	at medium temperature: $< 160 \text{ }^\circ\text{C}$	
	-25...60 °C	
	at medium temperature: $< 200 \text{ }^\circ\text{C}$	
Storage temperature [°C]	-40...100	
Protection	IP 67; IP 68; IP 69K	
Tests / approvals		
EMC	DIN EN 61000-6-2	
	DIN EN 61000-6-3	
Shock resistance	DIN IEC 68-2-27	50 g (11 ms)
Vibration resistance	DIN IEC 68-2-6	10 g (10...2000 Hz)
MTTF [years]	334	
UL approval	UL Approval no.	K002
Mechanical data		
Weight [g]	216	
Dimensions [mm]	$\varnothing 18.7$	
Materials	stainless steel (1.4404 / 316L); PEI; FKM	
Materials (wetted parts)	stainless steel (1.4404 / 316L)	
Process connection	diameter $\varnothing 6 \text{ mm}$	
Surface characteristics Ra/Rz of the wetted parts	Ra: < 0.6	
Probe diameter [mm]	6	
Installation length EL [mm]	350	
Remarks		
Remarks	MS = set measuring span	
Pack quantity	1 pcs.	

Electrical connection

Connector: 1 x M12

TA2292

Temperature transmitter

TA-350CLEd06-- /US



Connection

