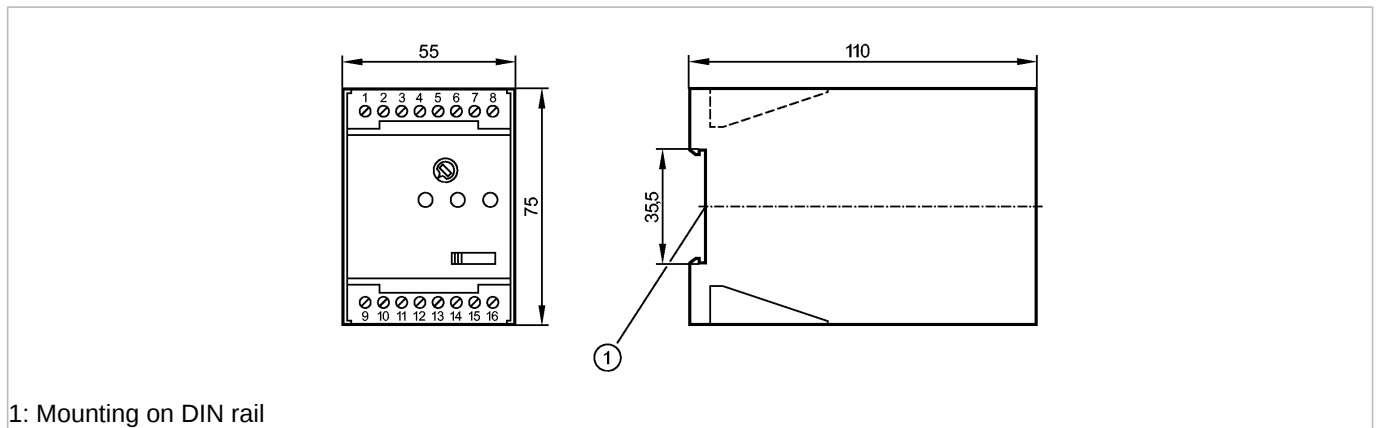


DA0001

A300/230VAC

Evaluation systems, power supplies



1: Mounting on DIN rail

Made in Germany



Product characteristics

Standstill monitor

A300

Housing for DIN rail mounting

Application

Application	Evaluation of pulse sequences with regard to underspeed or missing pulse
Switching function	F1/F2, with slide switch
Switching output	relay (1 changeover contact)

Electrical data

Nominal voltage	[V]	230 AC (50...60 Hz) / 24 DC
Voltage tolerance	[%]	± 10
Sensor supply	[V]	24 DC (max. 30mA)

Inputs

Input frequency (max.) [pulses/min]	15000 (250 Hz)
-------------------------------------	----------------

Outputs

Relay	
Contact rating	8 A / 1250 VA / 250 V AC

Measuring / setting range

Setting range	[pulses/min.]	5...25 / 20...100
Adjustment of the switch point		fine adjustment within the ranges with potentiometer
Hysteresis	[% of Sp]	5 *)
Start-up delay	[s]	15 **)

Accuracy / deviations

Repeatability	[% / Sp]	3
---------------	----------	---

Environment

Ambient temperature	[°C]	0...50
Protection housing / terminals		IP 40 / IP 20

Safety classification

MTTF	[a]	792
------	-----	-----

Mechanical data

Housing materials		plastics
Weight	[kg]	0.407

Displays / operating elements

DA0001

A300/230VAC

Evaluation systems, power supplies

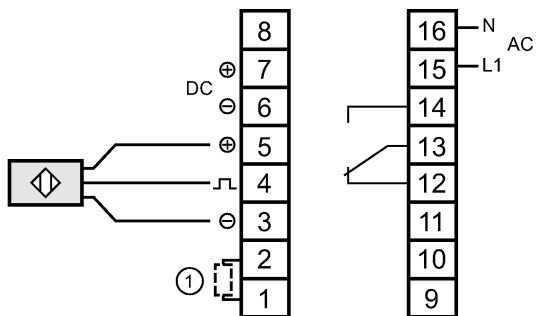
Operation	LED	green
Input pulses	LED	yellow
Output status indication	LED	green (lights when the output relay is energised)

Electrical connection

Connection	16 terminals...2.5 mm ²
------------	------------------------------------

Wiring

1: remote start-up delay



Remarks

Remarks	*) fixed **) reduction by means of external resistor
---------	---

Pack quantity	[piece]	1
---------------	---------	---