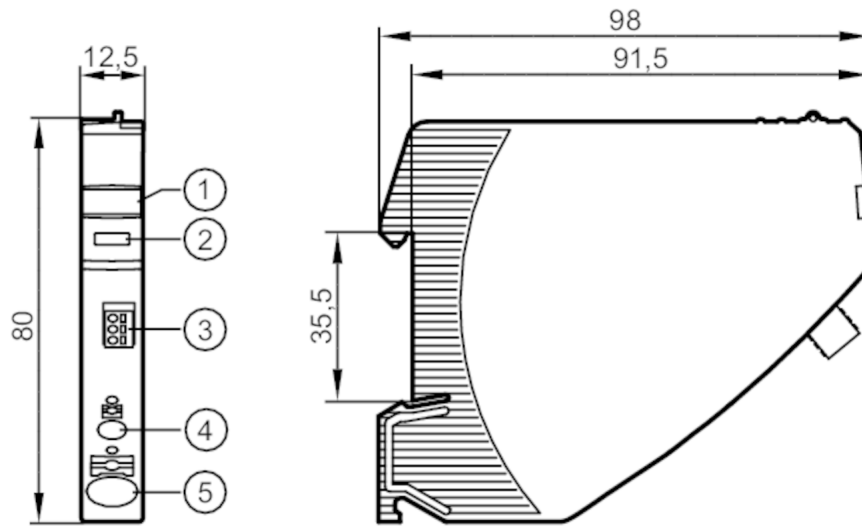


DF2101



Power supply module for electronic circuit breaker

Fuse/IO-Link/24VDC/Module



- 1 panel for labelling
- 2 status LED
- 3 push-in terminals IO-Link
- 4 push-in terminal 0 V
- 5 push-in terminal 24 V DC



Electrical data	
Operating voltage [V]	to SELV/PELV
Nominal voltage DC [V]	24
Input voltage DC [V]	19.2...30
Protection class	III
Reverse polarity protection	yes
Mains buffering time (nominal voltage 24 V DC) [ms]	10
Input current (nominal voltage 24 V DC) [A]	40
Closed-circuit current [mA]	10

Interfaces					
Communication interface	IO-Link				
Transmission type	COM2 (38,4 kBaud)				
IO-Link revision	1.1				
SIO mode	no				
Min. process cycle time [ms]	20				
Supported DeviceIDs	<table border="1"> <thead> <tr> <th>Type of operation</th> <th>DeviceID</th> </tr> </thead> <tbody> <tr> <td>default</td> <td>892</td> </tr> </tbody> </table>	Type of operation	DeviceID	default	892
Type of operation	DeviceID				
default	892				
Note	For further information please see the IODD PDF file under "Downloads"				

Operating conditions	
Ambient temperature [°C]	-25...60
Storage temperature [°C]	-40...70
Protection	IP 20; (on the front)

DF2101



Power supply module for electronic circuit breaker

Fuse/IO-Link/24VDC/Module

Pollution degree	2
------------------	---

Tests / approvals

EMC	EN 61000-6-3	radiation of interference
	EN 61000-6-2	immunity

Mechanical data

Weight	[g]	73
Dimensions	[mm]	80 x 12.5 x 98

Displays / operating elements

Display	status	1 x LED, red / green / orange
---------	--------	-------------------------------

Electrical connection

push-in terminals:

contact lever/strip:

Connection

