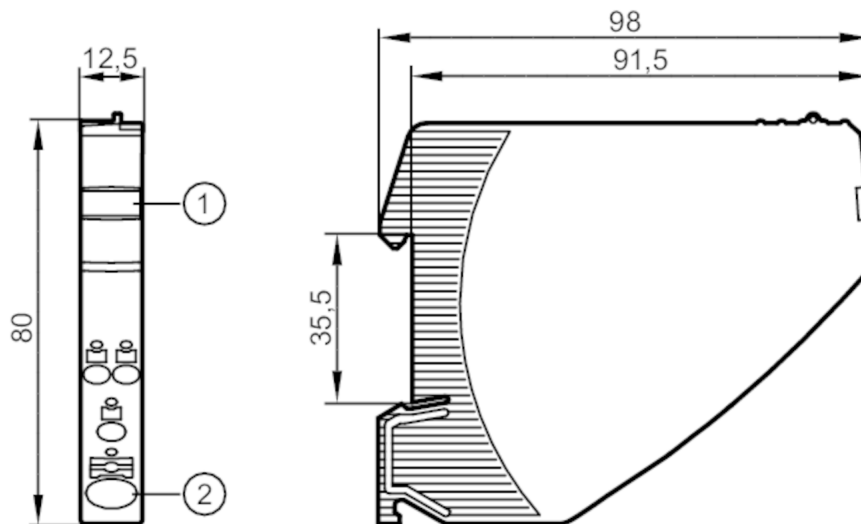


# DF3100



## Feeding module for ground potential

Supply Module GND/1x 10mm<sup>2</sup>



- 1 panel for labelling
- 2 push-in terminal 24 V DC



Application		
Design	feeding module GND (1 x 10 mm <sup>2</sup> )	
Electrical data		
Operating voltage [V]	18...30 DC	
Nominal voltage DC [V]	24	
Protection class	III	
Max. load current [A]	40	
Operating conditions		
Ambient temperature [°C]	-25...60	
Storage temperature [°C]	-40...70	
Protection	IP 20; (on the front)	
Tests / approvals		
EMC	EN 61000-6-3	radiation of interference
	EN 61000-6-2	noise immunity
Mechanical data		
Weight [g]	48.6	
Type of mounting	Mounting on DIN rail	
Installation instruction	String mounting possible	
Dimensions [mm]	80 x 12.5 x 98.5	

# DF3100



## Feeding module for ground potential

Supply Module GND/1x 10mm2

### Electrical connection

push-in terminals:

### Connection

