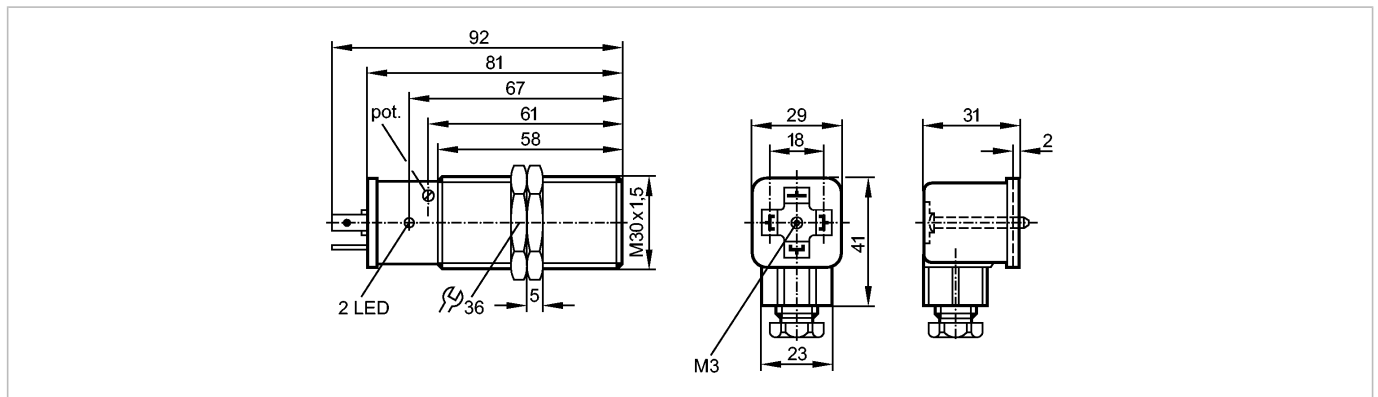


DI5004

DIA3010-ZPKG/SS-000-K

Evaluation systems, power supplies



Made in Germany

Product characteristics

Compact speed monitor M30
DIA
M30 x 1.5
Connector
Sensing range 10 mm [f]
flush mountable

Application

Application	simple evaluation of rotating and linear movement with regard to underspeed; blocking
Switching function	output is switched during the start-up delay and if (f actual) is greater than (f preset)
Electrical design	DC PNP
Switching output	normally open

Electrical data

Nominal voltage [V]	10...36 DC
Current consumption [mA]	< 15
Reverse polarity protection	yes

Outputs

Transistor	
Current rating (continuous) [mA]	250
Current rating (peak) [mA]	250
Voltage drop [V]	< 2.5
Short-circuit proof	yes
Overload protection	yes

Range

Sensing range [mm]	10
Correction factors	mild steel = 1 / stainless steel approx. 0.7 / brass approx. 0.5 / Al approx. 0.4 / Cu approx. 0.3

Measuring / setting range

Setting range [pulses/min.]	5...300
Adjustment of the switch point	multiturn potentiometer
Hysteresis [% of Sp]	10
Start-up delay [s]	15

Reaction times

DI5004

DIA3010-ZPKG/SS-000-K

Evaluation systems, power supplies

Damping frequency (max.) [pulses/min]	15000
--	-------

Environment

Ambient temperature [°C]	-25...80
Protection	IP 67

Safety classification

MTTF [a]	898
----------	-----

Mechanical data

Mounting	flush mountable
Housing materials	Brass special coating; PBT (Pocan)
Weight [kg]	0.2

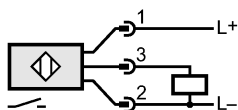
Displays / operating elements

Input pulses LED	yellow
Output status indication LED	green

Electrical connection

Connection	SS connector
------------	--------------

Wiring



Accessories

Accessories (included)	Valve plug type A (according to DIN EN 175301-803)
------------------------	---

Remarks

Pack quantity [piece]	1
-----------------------	---