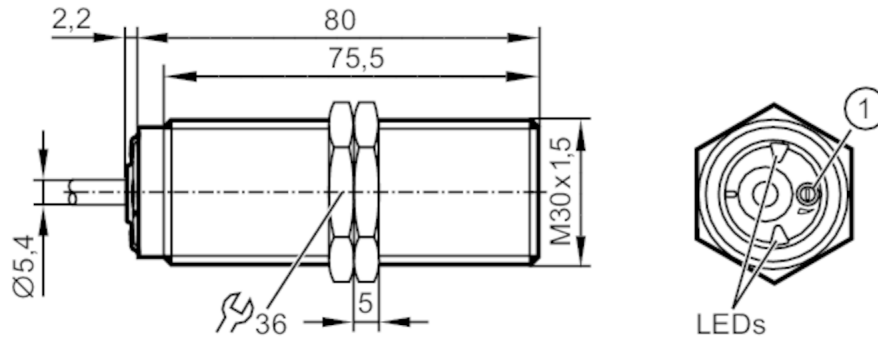


DI520A



Compact evaluation unit for speed monitoring

DIA3010-ZPKG/3D



1 potentiometer



Product characteristics

| | | |
|-------------------|------|--------------------|
| Electrical design | | PNP |
| Output function | | normally open |
| Sensing range | [mm] | 10 |
| Dimensions | [mm] | M30 x 1.5 / L = 80 |

Application

| | |
|-------------|---|
| Application | simple evaluation of rotating and linear movement with regard to underspeed; blocking |
|-------------|---|

Electrical data

| | | |
|-----------------------------|------|---------|
| Nominal voltage DC | [V] | 10...36 |
| Current consumption | [mA] | < 20 |
| Protection class | | III |
| Reverse polarity protection | | yes |

Outputs

| | | |
|---|------|---------------|
| Total number of outputs | | 1 |
| Electrical design | | PNP |
| Output function | | normally open |
| Max. voltage drop switching output DC | [V] | 2.5 |
| Permanent current rating of switching output DC | [mA] | 250 |
| Short-time current rating of switching output | [mA] | 250 |
| Short-circuit proof | | yes |
| Overload protection | | yes |

Detection zone

| | | |
|--------------------------|------|---------------|
| Sensing range | [mm] | 10 |
| Sensing range adjustable | | no |
| Real sensing range S_r | [mm] | $10 \pm 10\%$ |
| Operating distance | [mm] | 0...8.1 |

Measuring/setting range


| | | |
|---------------|-----------|----------|
| Setting range | [Imp/min] | 5...3600 |
|---------------|-----------|----------|

DI520A



Compact evaluation unit for speed monitoring

DIA3010-ZPKG/3D

| Accuracy / deviations | | |
|----------------------------------|---|-----------------|
| Correction factor | steel: 1 / stainless steel: 0.7 / brass: 0.5 / aluminium: 0.4 / copper: 0.3 | |
| Hysteresis [% of Sr] | 10 | |
| Response times | | |
| Start-up delay [s] | 15 | |
| Max. damping frequency [Imp/min] | 18000 | |
| Software / programming | | |
| Adjustment of the switch point | multiturn potentiometer | |
| Operating conditions | | |
| Ambient temperature [°C] | -20...60 | |
| Storage temperature [°C] | -25...60 | |
| Protection | IP 65; IP 67 | |
| Tests / approvals | | |
| Approval | IECEX BVS 17.0094X | |
| ATEX marking |  II 3D Ex tc IIIC T80°C Dc X | |
| EMC | EN 60947-5-2 | |
| MTTF [years] | 656 | |
| Mechanical data | | |
| Weight [g] | 320 | |
| Mounting | flush mountable | |
| Dimensions [mm] | M30 x 1.5 / L = 80 | |
| Thread designation | M30 x 1.5 | |
| Materials | brass special coating; PA; TPE-U | |
| Displays / operating elements | | |
| Display | switching status | 1 x LED, green |
| | input signal | 1 x LED, yellow |
| Accessories | | |
| Items supplied | lock nuts: 2 | |
| Remarks | | |
| Remarks | Recommendation Check the safe functioning of the unit after a short circuit. | |

DI520A



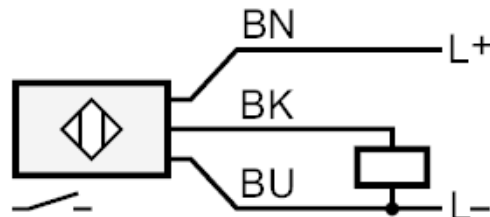
Compact evaluation unit for speed monitoring

DIA3010-ZPKG/3D

Electrical connection

Cable: 2 m, PUR; 3 x 0.5 mm²

Connection



Core colours :

| | |
|------|-------|
| BK = | black |
| BN = | brown |
| BU = | blue |