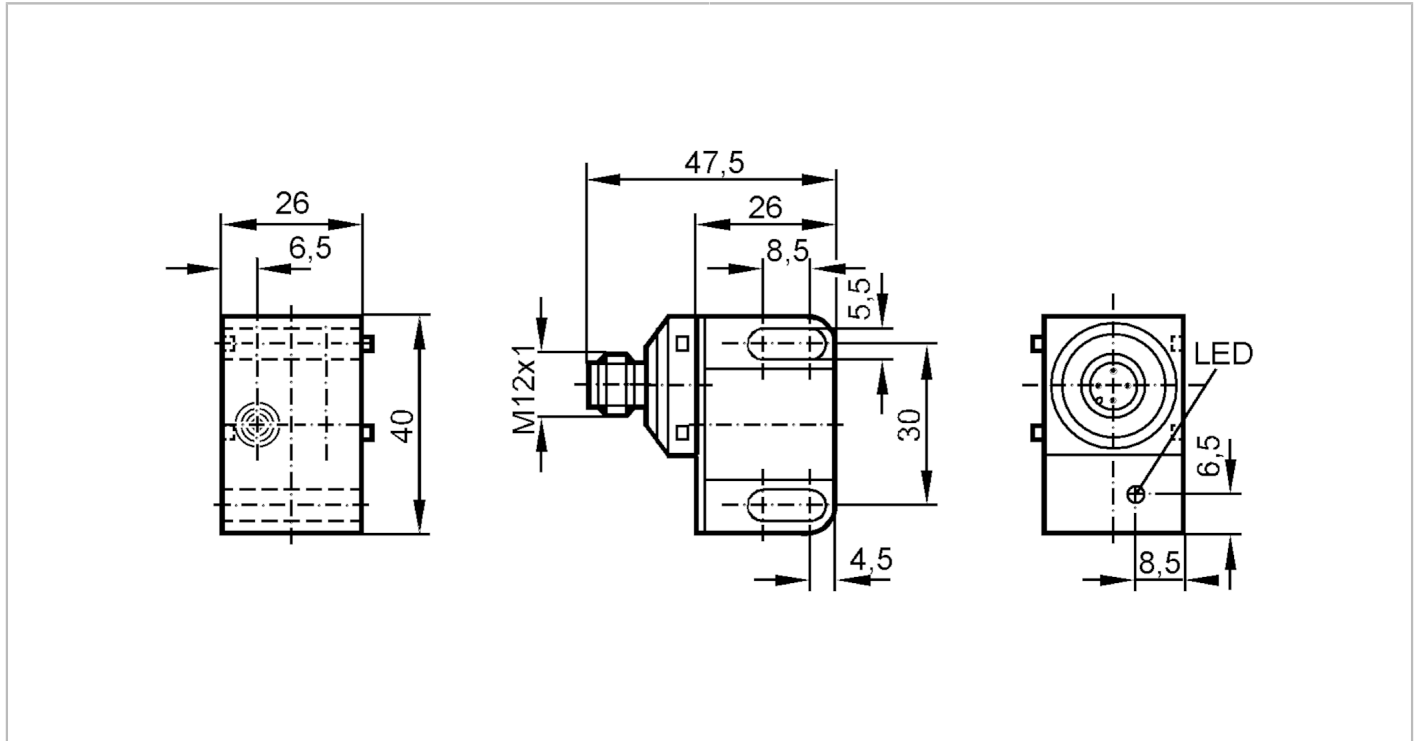


IN5280



Inductive dual sensor for valve actuators

IND3004-BPKG/US-100-KPS/A2



Product characteristics

Electrical design		PNP
Output function		normally open
Sensing range	[mm]	4
Housing		rectangular

Electrical data

Operating voltage	[V]	10...36 DC
Current consumption	[mA]	15; (36 V)
Protection class		II
Reverse polarity protection		yes

Outputs

Electrical design		PNP
Output function		normally open
Max. voltage drop switching output DC	[V]	2.5
Permanent current rating of switching output DC	[mA]	250
Switching frequency DC	[Hz]	1300
Short-circuit protection		yes
Type of short-circuit protection		pulsed
Overload protection		yes

IN5280



Inductive dual sensor for valve actuators

IND3004-BPKG/US-100-KPS/A2

Detection zone		
Sensing range	[mm]	4
Real sensing range Sr	[mm]	4 ± 10 %
Operating distance	[mm]	0...3.25
Accuracy / deviations		
Correction factor		steel: 1 / stainless steel: 0.7 / brass: 0.4 / aluminium: 0.3 / copper: 0.2
Hysteresis	[% of Sr]	1...15
Switch point drift	[% of Sr]	-10...10
Operating conditions		
Ambient temperature	[°C]	-25...80
Protection		IP 67
Tests / approvals		
EMC		EN 60947-5-2
		EN 55011
		class B
MTTF	[years]	1883
Mechanical data		
Weight	[g]	56
Housing		rectangular
Mounting		non-flush mountable
Materials		housing: PBT
Displays / operating elements		
Display	switching status	1 x LED, yellow
Remarks		
Pack quantity		1 pcs.
Electrical connection - plug		

Connector: 1 x M12; Moulded body: stainless steel (1.4305 / 303)



IN5280



Inductive dual sensor for valve actuators

IND3004-BPKG/US-100-KPS/A2

Connection

