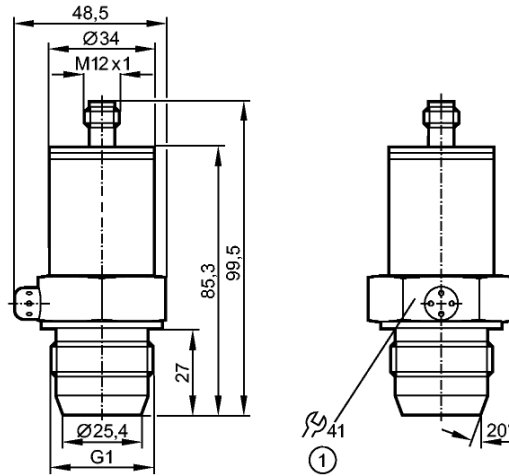


PL2658

PL-,25BREA01-E-ZVG/US/ /P

Pressure sensors



1: tightening torque 20 Nm



Product characteristics

Electronic pressure sensor
Connector
Process connection: Sealing cone G1 male
no dead space
Zero and span adjustable
Programmable via EPS interface
Analogue output
Measuring range: -12.5...250 mbar / -5.0...100.4 inH2O / -1.25...25.00 kPa

Application

Application	Type of pressure: relative pressure Hygienic systems, viscous media and liquids with suspended particles Liquids and gases		
Pressure rating	10000 mbar	4000 inH2O	1000 kPa
Bursting pressure min.	30000 mbar	12000 inH2O	3000 kPa
Medium temperature [°C]	-25...80		

Electrical data

Electrical design	3-wire DC; 2-wire DC		
Operating voltage [V]	14...30 DC		
Insulation resistance [MΩ]	> 100 (500 V DC)		
Protection class	III		
Reverse polarity protection	yes		

Outputs

Output	Analogue output		
Output function	4...20 mA analogue		
Overload protection	yes		
Analogue output	4...20 mA		
Max. load [Ω]	max. (Ub - 13 V) x 50; 550 at Ub = 24 V		

Measuring / setting range

Measuring range	-12.5...250 mbar	-5.0...100.4 inH2O	-1.25...25.00 kPa
Setting range			

PL2658

PL-,25BREA01-E-ZVG/US/ /P

Pressure sensors

Analogue start point, ASP	-12.5...100.0 mbar	-5.0...40.2 inH2O	-1.25...10.00 kPa
Analogue end point, AEP	50.0...250.0 mbar	20.2...100.4 inH2O	5.00...25.00 kPa
in steps of	0.5 mbar	0.2 inH2O	0.05 kPa

Accuracy / deviations

Accuracy / deviations
(in % of the span) Turn down 1:1

Characteristics deviation *)	< ± 0.6
Linearity	< ± 0.5
Hysteresis	< ± 0.1
Repeatability **)	< ± 0.1
Long-term stability ***)	< ± 0.1
Temperature coefficients (TEMPCO) in the temperature range 0...80° C (in % of the span per 10 K)	
Greatest TEMPCO of the zero point	< ± 0.1
Greatest TEMPCO of the span	< ± 0.4

Reaction times

Response time analogue output [ms]	3
------------------------------------	---

Environment

Ambient temperature [°C]	-25...80
Storage temperature [°C]	-40...100
Protection	IP 67

Tests / approvals

EMC	EN 61000-4-2 ESD: 4 kV CD / 8 kV AD EN 61000-4-3 HF radiated: 10 V/m EN 61000-4-4 Burst: 2 kV EN 61000-4-6 HF conducted: 10 V
Shock resistance	DIN IEC 68-2-27: 50 g (11 ms)
Vibration resistance	DIN IEC 68-2-6: 20 g (10...2000 Hz)
MTTF [Years]	271

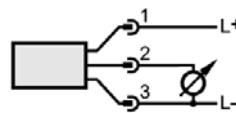
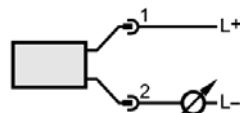
Mechanical data

Process connection	Sealing cone G1 male
Materials (wetted parts)	ceramics (99.9 % Al ₂ O ₃); PTFE; stainless steel 316L / 1.4435; surface characteristics: Ra < 0.4 / Rz 4
Housing materials	stainless steel 316L / 1.4404; PEI; FPM (Viton)
Min. pressure cycles	100 million
Weight [kg]	0.386

Electrical connection

Connection	M12 connector
------------	---------------

Wiring



Remarks

Remarks	*) linearity, incl. hysteresis and repeatability;
---------	---

**PL2658**

PL-,25BREA01-E-ZVG/US/ /P

Pressure sensors

(limit value setting to DIN 16086)

***) with temperature fluctuations < 10 K

***) in % of the span per year

The 3-A qualification is only valid if adapters with 3-A qualification are used for installation.

Pack quantity	[piece]	1
---------------	---------	---

