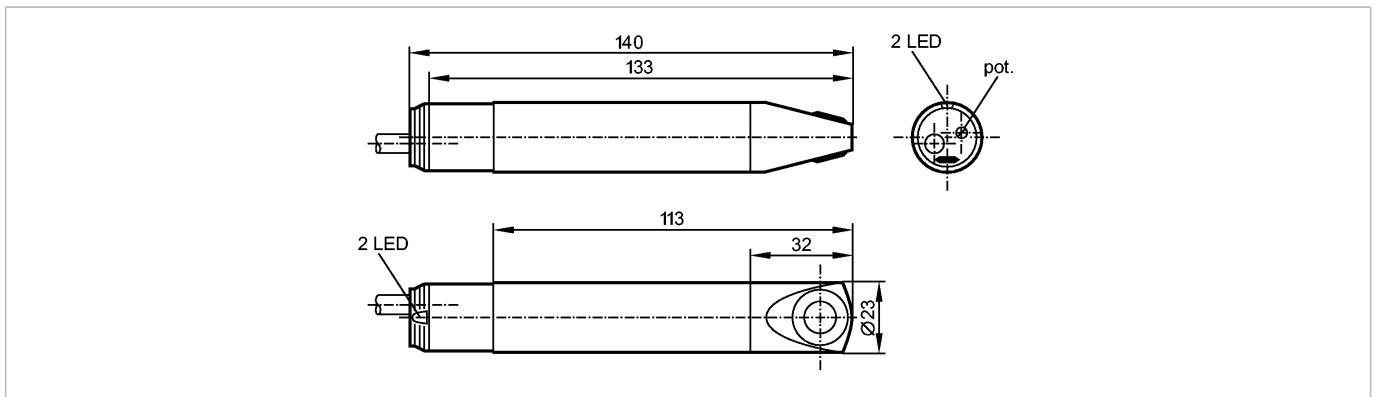


SL5101

SLG23CEEAKOG/24VDC

Flow sensors



Made in Germany

Product characteristics

Airflow monitor

Cylindrical type

Process connection: Ø 23 mm

Application

Pressure rating [bar] 1

Medium temperature Gases [°C] -10...50

Electrical data

Electrical design DC

Operating voltage [V] 24 DC ± 25 %

Power consumption [VA] 1

Outputs

Output function relay energised when flow is present

Contact rating 3 A (30 V DC / 250 V AC)

Measuring / setting range

Setting range [cm/s] 100...1000

Greatest sensitivity [cm/s] 100...400

Accuracy / deviations

Max. temperature gradient of medium [K/min] 5

Reaction times

Power-on delay time [s] 60

Response time [s] 3...60

Software / programming

Adjustment of the switch point potentiometer

Environment

Ambient temperature [°C] -10...50

Max. relative air humidity [%] 90

Protection IP 65

Tests / approvals

MTTF [Years] 1202

Mechanical data

Process connection Ø 23 mm

Materials (wetted parts) PBT; titanium

SL5101

SLG23CEEAKOG/24VDC

Flow sensors

Housing materials	housing: PBT; sensor surface: titanium
-------------------	--

Weight [kg]	0.19
-------------	------

Displays / operating elements

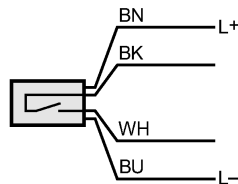
Function display	LED	1 x red / 1 x green
------------------	-----	---------------------

Electrical connection

Connection	PUR / PVC cable / 2 m; 4 x 0.5 mm ²
------------	--

Wiring

Core colours
 BN brown
 BU blue
 BK black
 WH white



Accessories

Accessories (included)	Mounting clamp (E40048); screwdriver
------------------------	--------------------------------------

Remarks

Pack quantity [piece]	1
-----------------------	---