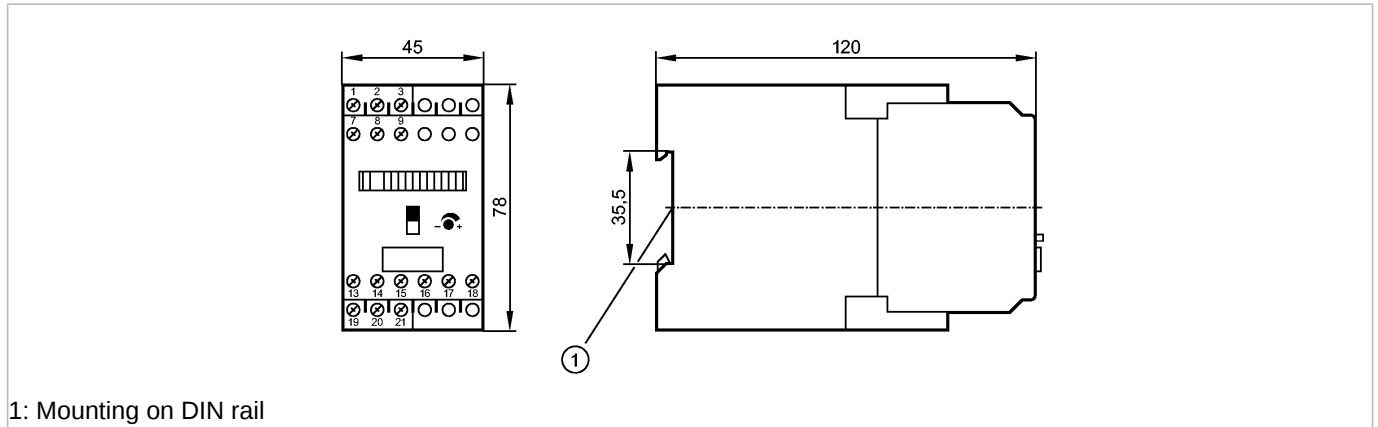


SR2301

VS2000/ 24VDC/EXI/1G

Evaluation systems



1: Mounting on DIN rail

Made in Germany



Product characteristics	
Control monitor for flow sensors	
Housing for DIN rail mounting	
Connection: 1 sensor (SF...A)	
ATEX approval	
Group II, category (1) G	
Application	
Application	flow monitoring and wire breaking monitoring
Electrical data	
Electrical design	DC
Operating voltage [V]	24 DC
Voltage tolerance [%]	± 10
Current consumption [mA]	125
Reverse polarity protection	no
Outputs	
Output function	Relay
Switching function	
- Flow monitoring	relay energised when flow is present
- Wire break monitoring	relay de-energised in case of wire break
Contact rating	4 A (250 V AC cos phi > 0.7) ; 0.2 A (250 V DC); 4 A (24 V DC)
Short-circuit proof	no
Overload protection	no
Reaction times	
Power-on delay time [s]	30
Software / programming	
Adjustment of the switch point	potentiometer
Selection liquids / gases	with slide switch
Environment	
Ambient temperature [°C]	-20...60
Protection housing / terminals	IP 40 / IP 20
Tests / approvals	
Approval	PTB 01 ATEX 2075 IECEX PTB 07.0004

SR2301

VS2000/ 24VDC/EXI/1G

Evaluation systems

Marking of the unit Ⓔ II (1) G [Ex ia Ga] IIC

MTTF [Years] 231

Safety classification

Maximum values for control circuit

Designation in protection rating intrinsic safety
[Ex ia] IIC, [Ex ia] IIB, [Ex ib] IIC, [Ex ib] IIB

Voltage [V] U₀ = 15.8

Current [mA] I₀ = 84 / I_e = 38.5

Power [mW] P₀ = 680

in protection rating intrinsic safety

	[Ex ia] IIC	[Ex ia] IIB	[Ex ib] IIC	[Ex ib] IIB
External inductance	1 mH	1mH / 5 mH	1 mH	1mH / 5 mH
External capacitance	205 nF	1.7 µF / 935 nF	205 nF	1.7 µF / 935 nF

Mechanical data

Housing materials plastics

Weight [kg] 0.388

Displays / operating elements

Function display 11 LED

Output status indication LED Red

Electrical connection

Connection 15 terminals...2.5 mm²

Wiring

Core colours

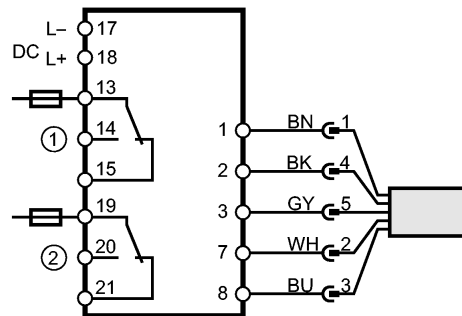
BN brown

BU blue

BK black

WH white

GY grey



1 Flow monitoring

2 Wire break monitoring

Note: miniature fuse to IEC60127-2 sheet 1,
≤ 5 A (fast acting)

Place the fuse outside the hazardous area.

Remarks

Remarks Please note: The control monitor must be mounted outside the hazardous area!
Recommendation: check the unit for reliable function after a short circuit.

Pack quantity [piece] 1