

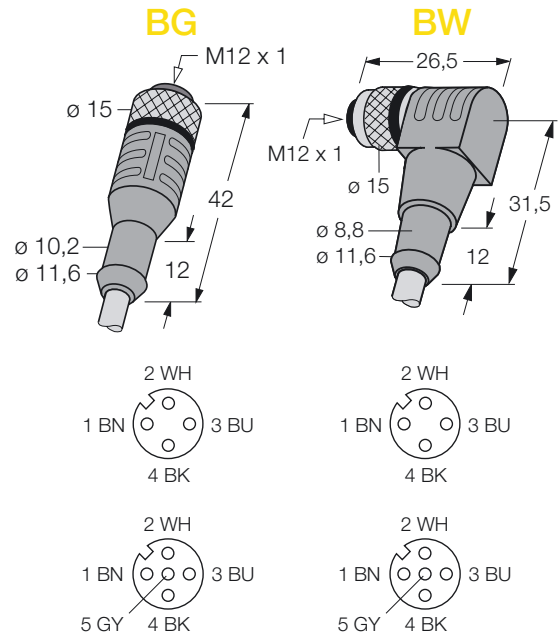
CF.INI  
CF9

# CF.INI

## Chainflex® Sensor/actuator cables with 5xd for Energy Chains®

### Direct line M12 x 1: Socket with free cable end

Plug-type connector	Coupling, M12 x 1
Handle base	Plastic, PP, black
Union nut/screw	Metal, CuZn, nickel-plated
Contact base	Plastic, PP, black
Contacts	Metal, CuZn, gold-plated
Seal	Plastic, FPM (Viton)
Number of poles	4-pole
Ampacity	4 A
Rated voltage of a winding	max. 250 V
Number of poles	5-pole (4-pole + PE)
Ampacity	4 A
Rated voltage of a winding	max. 60 V
Insulation resistance	≥10 <sup>9</sup> Ω
Contact resistance	≤5 mΩ
Degree of soiling	3/2
Ambient temperature of plug-type connector	-40... +105 °C
Protection class	IP69K, in screwed state
Mechanical service life	max. 100 insertion cycles



CF9.03.04.INI* (4 x 0.34) Type	Part No.	Number of poles	Cable length [m]
CF.INI-P4-M12-BG-3	MAT9043700	4	3.0
CF.INI-P4-M12-BG-5	MAT9043701	4	5.0
CF.INI-P4-M12-BG-7	MAT9043702	4	7.0
CF.INI-P4-M12-BG-10	MAT9043703	4	10.0
CF.INI-P4-M12-BG-15	MAT9049426	4	15.0
CF9.03.05.INI* (5 x 0.34)			
CF.INI-P5-M12-BG-3	MAT9043737	5	3.0
CF.INI-P5-M12-BG-5	MAT9043738	5	5.0
CF.INI-P5-M12-BG-7	MAT9043739	5	7.0
CF.INI-P5-M12-BG-10	MAT9043740	5	10.0
CF.INI-P5-M12-BG-15	MAT90410077	5	15.0
CF9.03.04.INI* (4 x 0.34)			
CF.INI-P4-M12-BW-3	MAT9043704	4	3.0
CF.INI-P4-M12-BW-5	MAT9043705	4	5.0
CF.INI-P4-M12-BW-7	MAT9043706	4	7.0
CF.INI-P4-M12-BW-10	MAT9043707	4	10.0
CF.INI-P4-M12-BW-15	MAT9049430	4	15.0
CF9.03.05.INI* (5 x 0.34)			
CF.INI-P5-M12-BW-3	MAT9043742	5	3.0
CF.INI-P5-M12-BW-5	MAT9043743	5	5.0
CF.INI-P5-M12-BW-7	MAT9043744	5	7.0
CF.INI-P5-M12-BW-10	MAT9043745	5	10.0
CF.INI-P5-M12-BW-15	MAT90410078	5	15.0

\* Technical information ► page 78

Sensor/actuator cables



... no minimum order quantity  
eplan download, configurator, PDF catalogues, lifetime ...



CF.INI  
CF9

## Direct line M12 x 1: Socket with LED and free cable end

Plug-type connector  
Handle base  
Union nut/screw  
Contact base  
Contacts  
Seal

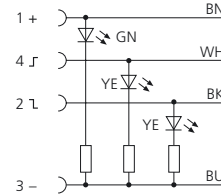
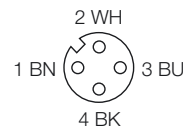
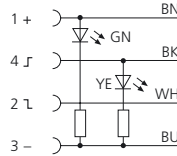
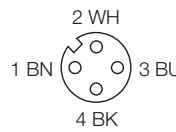
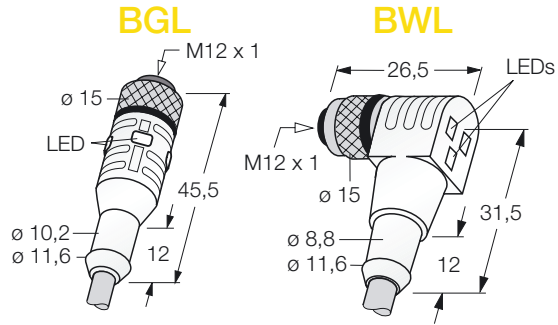
Coupling, M12 x 1  
Plastic, TPU, transparent  
Metal, CuZn, nickel-plated  
Plastic, PA6GF, transparent  
Metal, CuZn, gold-plated  
Plastic, FPM (Viton)

Number of poles 4-pole  
Ampacity 4 A  
Rated voltage of a winding 10...30 V

Insulation resistance  $\geq 10^9 \Omega$   
Contact resistance  $\leq 5 \text{ m}\Omega$   
Degree of soiling 3/2

Operating voltage display LED green  
Switching state display LED yellow/yellow  
Switching function pnp

Ambient temperature of plug-type connector -40... +105 °C  
Protection class IP66, in screwed state  
Mechanical service life max. 100 insertion cycles



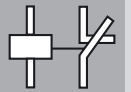
CF9.03.04.INI* (4 x 0.34) Type	Part No.	Number of poles	Cable length [m]
CF.INI-P4-M12-BGL2-3	MAT9043708	4	3.0
CF.INI-P4-M12-BGL2-5	MAT9043709	4	5.0
CF.INI-P4-M12-BGL2-7	MAT9043710	4	7.0
CF.INI-P4-M12-BGL2-10	MAT9043711	4	10.0
CF.INI-P4-M12-BGL2-15	MAT90410087	4	15.0

CF9.03.04.INI* (4 x 0.34) Type	Part No.	Number of poles	Cable length [m]
CF.INI-P4-M12-BWL3-3	MAT9043712	4	3.0
CF.INI-P4-M12-BWL3-5	MAT9043713	4	5.0
CF.INI-P4-M12-BWL3-7	MAT9043714	4	7.0
CF.INI-P4-M12-BWL3-10	MAT9043715	4	10.0
CF.INI-P4-M12-BWL3-15	MAT90410088	4	15.0

\* Technical information ► page 78

Chainflex®

Tel. +49-2203-96 49-0  
Fax +49-2203-96 49-222



**850 types from stock no cutting costs ...**  
... and order online ► [www.igus.eu/en/CFINI](http://www.igus.eu/en/CFINI) (for up to 10 cuts of the same type)

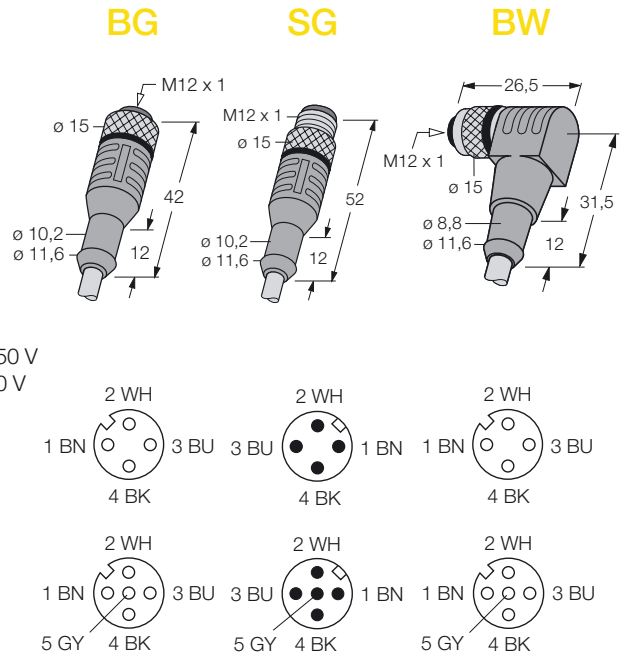
CF.INI  
CF9

# CF.INI

## Chainflex® Sensor/actuator cables with 5xd for Energy Chains®

### Connection cable M12 x 1: Socket, cable end with pin

Plug-type connector	Coupling, M12 x 1
Handle base	Plastic, PP, black
Union nut/screw	Metal, CuZn, nickel-plated
Contact base	Plastic, PP, black
Contacts	Metal, CuZn, gold-plated
Seal	Plastic, FPM (Viton)
Plug-type connector	Connector, M12 x 1
Handle base	Plastic, PP, black
Union nut/screw	Metal, CuZn, nickel-plated
Contact base	Plastic, TPU, black
Contacts	Metal, CuZn, gold-plated
Rated voltage of a winding	4-pole: max. 250 V 5-pole (4-pole+PE): max. 60 V
Ampacity	4 A
Insulation resistance	$\geq 10^9 \Omega$
Contact resistance	$\leq 5 \text{ m}\Omega$
Degree of soiling	3/2
Ambient temperature of plug-type connector	-40... +105 °C
Protection class	IP69K, in screwed state
Mechanical service life	max. 100 insertion cycles



CF9.03.04.INI* (4 x 0.34)	Part No.	Number of poles	Cable length [m]
Type			
CF.INI-P4-M12-BG / M12-SG-2	MAT90410312	4	2.0
CF.INI-P4-M12-BG / M12-SG-5	MAT90410313	4	5.0
CF.INI-P4-M12-BG / M12-SG-10	MAT90410314	4	10.0
CF9.03.05.INI* (5 x 0.34)			
CF.INI-P5-M12-BG / M12-SG-2	MAT90410339	5	2.0
CF.INI-P5-M12-BG / M12-SG-5	MAT90410340	5	5.0
CF.INI-P5-M12-BG / M12-SG-10	MAT90410341	5	10.0
CF9.03.04.INI* (4 x 0.34)			
CF.INI-P4-M12-BW / M12-SG-2	MAT90410315	4	2.0
CF.INI-P4-M12-BW / M12-SG-5	MAT90410316	4	5.0
CF.INI-P4-M12-BW / M12-SG-10	MAT90410317	4	10.0
CF9.03.05.INI* (5 x 0.34)			
CF.INI-P5-M12-BW / M12-SG-2	MAT90410342	5	2.0
CF.INI-P5-M12-BW / M12-SG-5	MAT90410343	5	5.0
CF.INI-P5-M12-BW / M12-SG-10	MAT90410344	5	10.0

\* Technical information ► page 78

Sensor/actuator cables



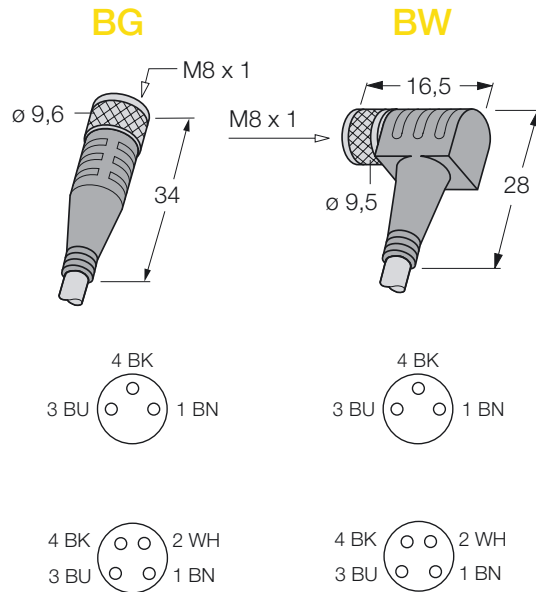
... no minimum order quantity  
eplan download, configurator, PDF catalogues, lifetime ...



CF.INI  
CF9

## Direct line M8 x 1: Socket with free cable end

Plug-type connector	Coupling, M8 x 1
Handle base	Plastic, PP, black
Union nut/screw	Metal, CuZn, nickel-plated
Contact base	Plastic, PP, black
Contacts	Metal, CuZn, gold-plated
Seal	Plastic, FPM (Viton)
Number of poles	3-pole
Ampacity	4 A
Rated voltage of a winding	max. 60 V
Number of poles	4-pole
Ampacity	4 A
Rated voltage of a winding	max. 30 V
Insulation resistance	≥10 <sup>9</sup> Ω
Contact resistance	≤5 mΩ
Degree of soiling	3/2
Ambient temperature of plug-type connector	-40 ... +105 °C
Protection class	IP69K, in screwed state
Mechanical service life	max. 100 insertion cycles



Chainflex®

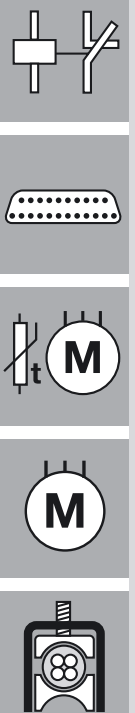
Tel. +49-2203-96 49-0  
Fax +49-2203-96 49-222



Type	Part No.	Number of poles	Cable length [m]
<b>CF9.02.03.INI* (3 x 0.25)</b>			
CF.INI-P3-M8-BG-3	MAT9043716	3	3.0
CF.INI-P3-M8-BG-5	MAT9043717	3	5.0
CF.INI-P3-M8-BG-7	MAT9043718	3	7.0
CF.INI-P3-M8-BG-10	MAT9043719	3	10.0
CF.INI-P3-M8-BG-15	MAT9049416	3	15.0
<b>CF9.03.04.INI* (4 x 0.34)</b>			
CF.INI-P4-M8-BG-3	MAT9043728	4	3.0
CF.INI-P4-M8-BG-5	MAT9043729	4	5.0
CF.INI-P4-M8-BG-7	MAT9043730	4	7.0
CF.INI-P4-M8-BG-10	MAT9043731	4	10.0
CF.INI-P4-M8-BG-15	MAT9049466	4	15.0
<b>CF9.02.03.INI* (3 x 0.25)</b>			
CF.INI-P3-M8-BW-3	MAT9043724	3	3.0
CF.INI-P3-M8-BW-5	MAT9043725	3	5.0
CF.INI-P3-M8-BW-7	MAT9043726	3	7.0
CF.INI-P3-M8-BW-10	MAT9043727	3	10.0
CF.INI-P3-M8-BW-15	MAT9049419	3	15.0
<b>CF9.03.04.INI* (4 x 0.34)</b>			
CF.INI-P4-M8-BW-3	MAT9043732	4	3.0
CF.INI-P4-M8-BW-5	MAT9043733	4	5.0
CF.INI-P4-M8-BW-7	MAT9043734	4	7.0
CF.INI-P4-M8-BW-10	MAT9043735	4	10.0
CF.INI-P4-M8-BW-15	MAT9049467	4	15.0

\* Technical information ► page 78

**850 types from stock no cutting costs ...**  
... and order online ► [www.igus.eu/en/CFINI](http://www.igus.eu/en/CFINI) (for up to 10 cuts of the same type)



CF.INI  
CF9

# CF.INI

## Chainflex® Sensor/actuator cables with 5xd for Energy Chains®

### Direct line M8 x 1:

### Socket with LED and free cable end

Plug-type connector	Coupling, M8 x 1
Handle base	Plastic, TPU, transparent
Union nut/screw	Metal, CuZn, nickel-plated
Contact base	Plastic, PA6GF, black
Contacts	Metal, CuZn, gold-plated
Seal	Plastic, FPM (Viton)

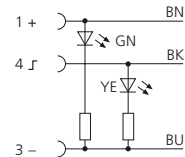
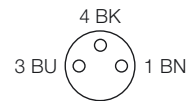
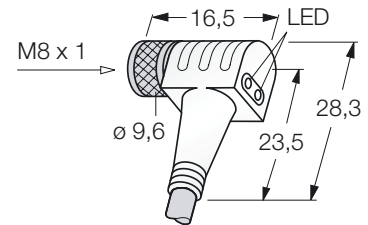
Number of poles	3-pole
Ampacity	4 A
Rated voltage of a winding	10...30 V

Insulation resistance	≥10 <sup>9</sup> Ω
Contact resistance	≤5 mΩ
Degree of soiling	3/2

Operating voltage display	LED green
Switching state display	LED yellow
Switching function	pnp

Ambient temperature of plug-type connector	-40... +105 °C
Protection class	IP66K, in screwed state
Mechanical service life	max. 100 insertion cycles

**BWL**



CF9.02.03.INI* (3 x 0.25) Type	Part No.	Number of poles	Cable length [m]
CF.INI-P3-M8-BWL2-3	MAT9043720	3	3.0
CF.INI-P3-M8-BWL2-5	MAT9043721	3	5.0
CF.INI-P3-M8-BWL2-7	MAT9043722	3	7.0
CF.INI-P3-M8-BWL2-10	MAT9043723	3	10.0
CF.INI-P3-M8-BWL2-15	MAT90410196	3	15.0

\* Technical information ► page 78

Sensor/actuator cables



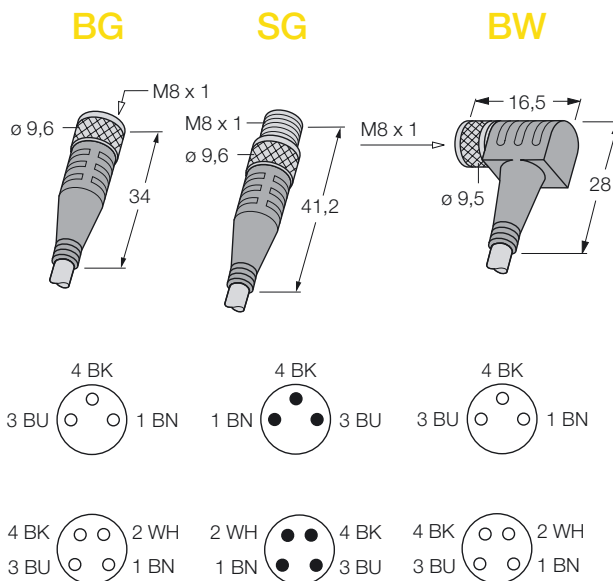
... no minimum order quantity  
eplan download, configurator, PDF catalogues, lifetime ...



CF.INI  
CF9

## Connection cable M8 x 1: Socket, cable end with pin

Plug-type connector	Coupling, M8 x 1
Handle base	Plastic, PP, black
Union nut/screw	Metal, CuZn, nickel-plated
Contact base	Plastic, PP, black
Contacts	Metal, CuZn, gold-plated
Seal	Plastic, FPM (Viton)
Plug-type connector	Connector, M8 x 1
Handle base	Plastic, PP, black
Union nut/screw	Metal, CuZn, nickel-plated
Contact base	Plastic, PP, black
Contacts	Metal, CuZn, gold-plated
Rated voltage of a winding	3-pole: max. 60 V 4-pole: max. 30 V
Ampacity	4 A
Insulation resistance	≥10 <sup>9</sup> Ω
Contact resistance	≤5 mΩ
Degree of soiling	3/2
Ambient temperature of plug-type connector	-40... +105 °C
Protection class	IP69K, in screwed state
Mechanical service life	max. 100 insertion cycles



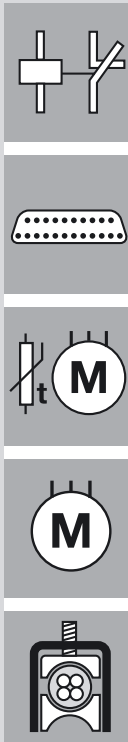
Chainflex®

Tel. +49-2203-96 49-0  
Fax +49-2203-96 49-222



CF9.02.03.INI* (3 x 0.25)	Part No.	Number of poles	Cable length [m]
Type			
CF.INI-P3-M8-BG / M8-SG-2	MAT90410324	3	2.0
CF.INI-P3-M8-BG / M8-SG-5	MAT90410325	3	5.0
CF.INI-P3-M8-BG / M8-SG-10	MAT90410326	3	10.0
CF9.03.04.INI* (4 x 0.34)			
CF.INI-P4-M8-BG / M8-SG-2	MAT90410333	4	2.0
CF.INI-P4-M8-BG / M8-SG-5	MAT90410334	4	5.0
CF.INI-P4-M8-BG / M8-SG-10	MAT90410335	4	10.0
CF9.02.03.INI* (3 x 0.25)			
CF.INI-P3-M8-BW / M8-SG-2	MAT90410330	3	2.0
CF.INI-P3-M8-BW / M8-SG-5	MAT90410331	3	5.0
CF.INI-P3-M8-BW / M8-SG-10	MAT90410332	3	10.0
CF9.03.04.INI* (4 x 0.34)			
CF.INI-P4-M8-BW / M8-SG-2	MAT90410336	4	2.0
CF.INI-P4-M8-BW / M8-SG-5	MAT90410337	4	5.0
CF.INI-P4-M8-BW / M8-SG-10	MAT90410338	4	10.0

\* Technical information ► page 78



**850 types from stock no cutting costs ...**  
... and order online ► [www.igus.eu/en/CFINI](http://www.igus.eu/en/CFINI) (for up to 10 cuts of the same type)