

Part number

CKAX 03 CX



Cover,CKA series, with 1 lever, size "21.21", for female inserts, with gasket and loop

Product description

Product type	Cover
Series	CKA
Closing type	With 1 lever
Size	Size "21.21"
Specification	For female inserts, with gasket and loop

Technical data

IP degree of protection	IP44 - IP66 / IP67 / IP69 with CKR 65 (D)
--------------------------------	---

Further technical details

Weight	31,00 g
Operating temperature range (min, max)	-40°C...+125°C

Material properties

Main material	Zinc die-cast
Other materials	Lever: Stainless steel Gasket: TPE Loop: Nylon, galvanized brass
Colour	RAL 7040 grey
RoHs conformity	Compliant
China RoHs - EFUP	E
REACH SVHC substances	No

Approvals / Standards

UL	ECBT2
cUL	ECBT8

General ordering information

EAN13 code	8015747027472
eCl@ss 8.1	27440208
ETIM 7.0	EC002314

Packaging Information

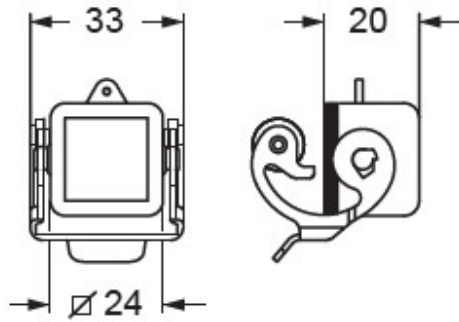
Packaging length	330,00 mm
Packaging height	230,00 mm
Packaging width	205,00 mm
Packaging weight	3,77 kg
Packaging volume	15,56 dm ³
Packaging description	Carton box
Packaging quantity	100 Pcs
Packaging EAN code	8015747258470
Sub-packaging length	185,00 mm
Sub-packaging height	40,00 mm
Sub-packaging width	155,00 mm
Sub-packaging weight	0,38 kg
Sub-packaging volume	1,15 dm ³
Sub-packaging description	Carton box
Sub-packaging quantity	10 Pcs
Sub-packaging EAN barcode	8015747027489

Part number

CKAX 03 CX



Catalogue drawings



Notes

Dimensions shown in mm are not binding and may be changed without notice.
