

Part number

# COB 24 BC



## Brief description:

connector carrier baseplate for mounting on DIN EN 60715 rail or fixed mounting using screws, kit comprising frame and mobile blocks for insert coupling: with screw fixing centre distance of 104 x 27 mm

### Product description

<b>Version</b>	COB panel supports for multipole connectors
<b>Series</b>	COB panel supports for multipole connectors
<b>Product type</b>	connector carrier baseplate for mounting on DIN EN 60715 rail or fixed mounting using screws
<b>Style</b>	kit comprising frame and mobile blocks for insert coupling: with screw fixing centre distance of 104 x 27 mm
<b>Family</b>	accessories for multipole connectors
<b>Size</b>	size "104.27"

### Technical data

<b>Operating temperature range (min, max)</b>	-40°C ... +125°C
---	------------------

### Further technical details

<b>Weight</b>	122,00 g
---------------	----------

### Approvals / Standards

<b>Quality mark</b>	
<b>Conformity</b>	Not applicable

### General ordering information

<b>EAN13 code</b>	8015747036641
<b>Tariff number</b>	85369095

### Packaging Information

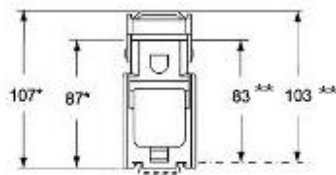
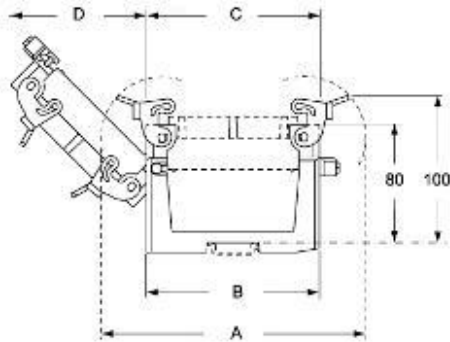
<b>Packaging length</b>	275,00 mm
<b>Packaging height</b>	150,00 mm
<b>Packaging width</b>	410,00 mm
<b>Packaging weight</b>	2,43 kg
<b>Packaging volume</b>	16,91 dm <sup>3</sup>
<b>Packaging description</b>	Carton box
<b>Packaging quantity</b>	20 Pcs
<b>Packaging EAN code</b>	8015747036658
<b>Sub-packaging length</b>	95,00 mm
<b>Sub-packaging height</b>	40,00 mm
<b>Sub-packaging width</b>	253,00 mm
<b>Sub-packaging weight</b>	0,61 kg
<b>Sub-packaging volume</b>	0,96 dm <sup>3</sup>
<b>Sub-packaging description</b>	Carton
<b>Sub-packaging quantity</b>	5 Pcs
<b>Sub-packaging EAN barcode</b>	8015747036665

Part number

# COB 24 BC



Catalogue drawings



Catalogue drawings

**COB..BC**

