

Part number

COB TSFS



Brief description:

insert carrier blocks for mobile mounting, kit with 2 elements, for coupling of inserts with screw fixing centre distance (short side = 27 mm) with handle for cable support or cable clamp bands

Product description

Version	COB panel supports for multipole connectors
Series	COB panel supports for multipole connectors
Product type	insert carrier blocks for mobile mounting
Style	kit with 2 elements, for coupling of inserts with screw fixing centre distance (short side = 27 mm) with handle for cable support or cable clamp bands
Family	accessories for multipole connectors


Technical data

Operating temperature range (min, max)	-40°C ... +125°C
---	------------------

Further technical details

Weight	35,00 g
---------------	---------

Approvals / Standards

Quality mark	
Conformity	Not applicable

General ordering information

EAN13 code	8015747036764
Tariff number	85369095

Packaging Information

Packaging length	150,00 mm
Packaging height	125,00 mm
Packaging width	225,00 mm
Packaging weight	0,88 kg
Packaging volume	4,22 dm ³
Packaging description	Carton box
Packaging quantity	25 Pcs
Packaging EAN code	8015747036771

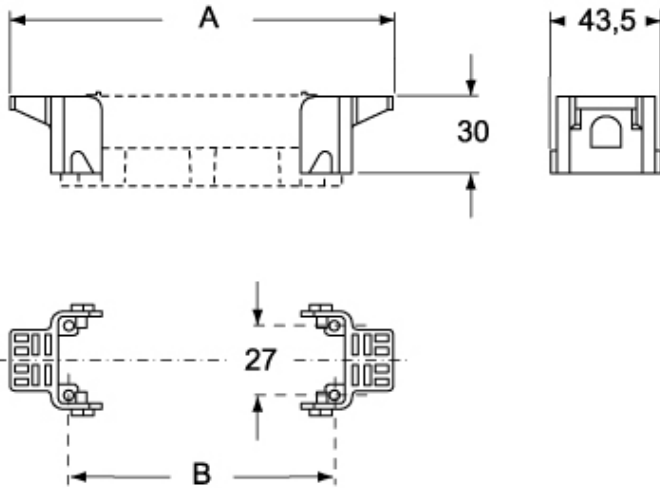
Part number

COB TSFS



Catalogue drawings

COB TSF



COB TSFS

