

Part number
MKA V20



Hood, CKA series, with 2 pegs, M20 top cable entry, size "21.21"

Product description		Material properties	
Product type	Hood	Main material	Zinc die-cast
Series	CKA	Colour	RAL 7040 grey
Closing type	With 2 pegs	RoHs conformity	Compliant
Size	Size "21.21"	China RoHs - EFUP	E
Cable entry	Top cable entry M20	REACH SVHC substances	No
Technical data		Approvals / Standards	
IP degree of protection	IP44 - IP66 / IP67 / IP69 with CKR 65 (D)	UL	ECBT2
Further technical details		cUL	ECBT8
Further technical details		General ordering information	
Weight	60,50 g	EAN13 code	8015747056748
Operating temperature range (min, max)	-40°C...+125°C	eCl@ss 8.1	27440202
		ETIM 7.0	EC000437
Packaging Information			
Packaging length	330,00 mm	Packaging description	Carton box
Packaging height	230,00 mm	Packaging quantity	100 Pcs
Packaging width	205,00 mm	Packaging EAN code	8015747056755
Packaging weight	6,60 kg	Sub-packaging length	185,00 mm
Packaging volume	15,56 dm ³	Sub-packaging height	40,00 mm
Sub-packaging length	185,00 mm	Sub-packaging width	155,00 mm
Sub-packaging height	40,00 mm	Sub-packaging weight	0,66 kg
Sub-packaging width	155,00 mm	Sub-packaging volume	1,15 dm ³
Sub-packaging weight	0,66 kg	Sub-packaging description	Carton box
Sub-packaging volume	1,15 dm ³	Sub-packaging quantity	10 Pcs
Sub-packaging description	Carton box	Sub-packaging EAN barcode	8015747056762
Sub-packaging quantity	10 Pcs		
Sub-packaging EAN barcode	8015747056762		

Part number

MKA V20



Catalogue drawings

CKA VS - MKA V



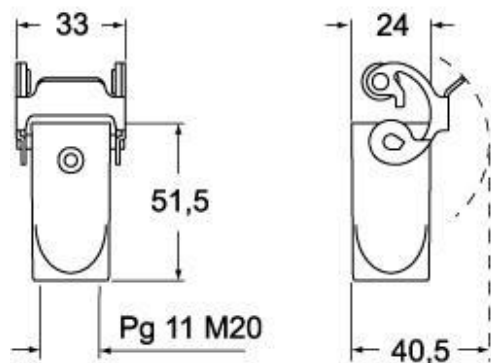
CKA VAS - MKA VA



CKA VAS - MKA VA



CKAX VGS - MKAX VG



Notes

Dimensions shown in mm are not binding and may be changed without notice.
