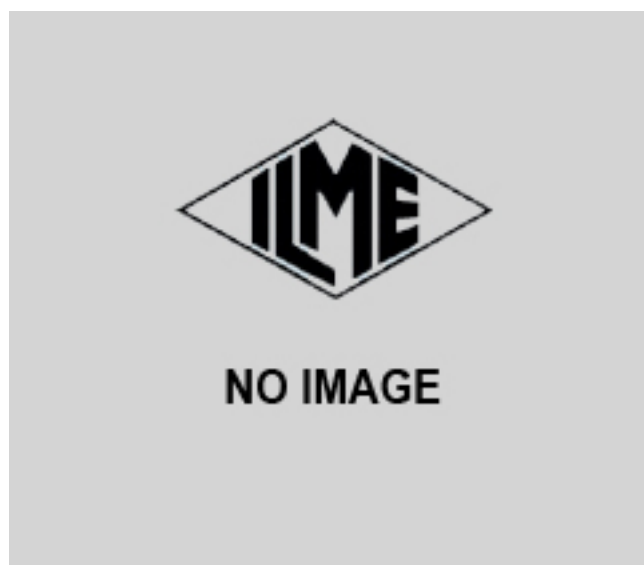





Product Sheet

Part Number: MKAS VA20



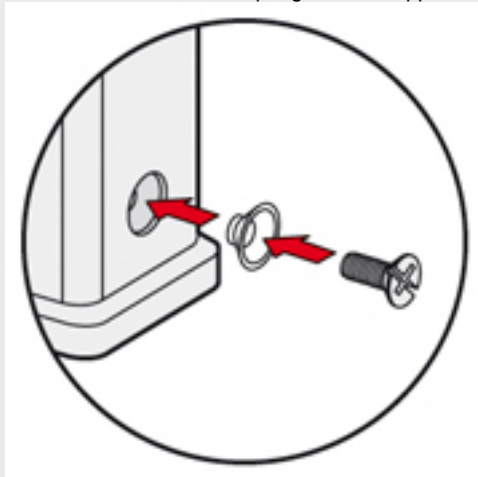
Family	CKA and MKA enclosures
Version	EMC version
Series	hoods for single lever
Product type	with 2 pegs
Type	side entry
Quality mark	 US type: 12,(type 4/4X only with kit CKR 65 or CKR 65 D),  
IP degree of protection	IP44 (EN 60529) degree of protection, IP66/67 degree of protection with CKR 65 kit or CKR 65 D kit.
Cable entry	M 20
Fixing centre distance	size "21.21"
Material	metal

The information and the dimensions contained are not binding and may be changed without prior notice.
The drawing's dimensions are in mm.

Notes

Enclosures with IP44 degree of protection.

To achieve the IP66/IP67 protection rating, a kit is available which includes a seal to be fitted under the insert fastening screw supplied with the kit (see example illustrated), instead of the screw with spring washer supplied with the insert.



Note:

The CQ 12 inserts are already fitted with seal and screw, allowing IP66/IP67 protection rating to be achieved.