

# KDR-BES-U

Universal brush strip  
for enclosures



Edge protection trim (100m)  
Order No. 99152

## Product description

Cable pass-through brush strip for enclosure bases or individual cut-outs on cabinets, enclosures, panels, server racks or machine walls.

Due to the innovative and universal clamp strip the brush can also be assembled in a 90° angle, e.g. on bent sheet metal. Suitable for wall thickness 1.5 - 2 mm or 2.5 - 3 mm. Brush may be removed from the profile at any time and remounted using other mounting options.

The KDR-BES-U brush strip is adaptable to almost any enclosure or cabinet type on the market. The standard gland plates included in the enclosure delivery can be used for assembly. They do not have to be changed!

## Advantages & benefits

- Fast, simple and tool-free mounting
- Original enclosure gland plates can be used
- Three mounting types possible
- Brush may be remounted at any time using other mounting options
- Available in any custom length up to 1.500 mm

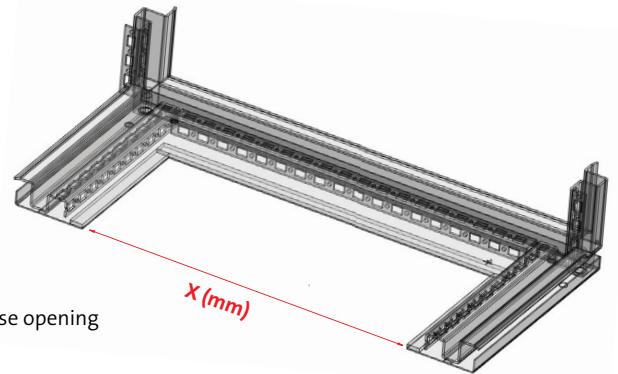
## Specifications

Material clamp strip	Aluminium
Material backing strips	Metal, galvanised
Material bristles	Polyamide (PA)
For sheet thickness	1.5 - 2 mm / 2.5 - 3 mm
Temperature	-20°C to +90°C
Properties	Halogen free, silicone free

## Accessories

ZL Strain relief plates 110 - 114

## Brush strips in your required length (up to 1.500 mm)



X (mm) = sight size of base opening  
X max. = 1500 mm

### Order numbers examples:

For sheet thickness 1.5 - 2 mm, trim height 35 mm:

X = **999** mm → Order No. 58210.**0999**

For sheet thickness 2.5 - 3 mm, trim height 35 mm:

X = **999** mm → Order No. 58225.**0999**

For sheet thickness 1.5 - 2 mm, trim height 50 mm:

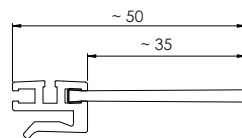
X = **999** mm → Order No. 58215.**0999**

For sheet thickness 2.5 - 3 mm, trim height 50 mm:

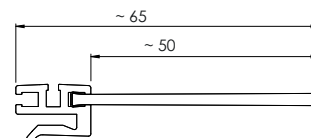
X = **999** mm → Order No. 58230.**0999**

### Scope of delivery:

1x KDR-BES-U (clamp strip + brush)

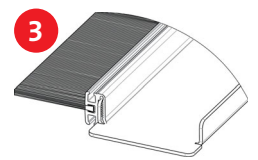
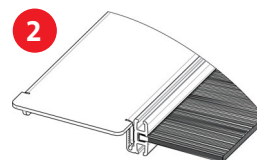
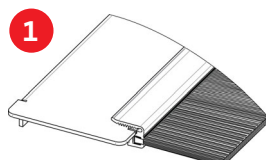


pure brush length: 35 mm



50 mm

## KDR-BES-U mounting options



## KDR-BES-U

Brush strip for gland plates  
Rittal VX25/TS 8 & Hoffman PROLINE G2



Type	Enclosure type	Enclosure width	Brush strip length	Trim height	Order no.	PU
<b>NEW</b> KDR-BES-U for Rittal VX25 enclosures						
KDR-BES-U-VX25-600	Rittal VX25	600 mm	452 mm	35 mm	58225.0452	1
KDR-BES-U-VX25-800	Rittal VX25	800 mm	652 mm	35 mm	58225.0652	1
KDR-BES-U-VX25-1000	Rittal VX25	1000 mm* with division bar	402 mm	35 mm	58225.0402	1
KDR-BES-U-VX25-1200	Rittal VX25	1200 mm* with division bar	502 mm	35 mm	58225.0502	1
KDR-BES-U-VX25-600	Rittal VX25	600 mm	452 mm	<b>NEW</b> 50 mm	58230.0452	1
KDR-BES-U-VX25-800	Rittal VX25	800 mm	652 mm	<b>NEW</b> 50 mm	58230.0652	1
KDR-BES-U-VX25-1000	Rittal VX25	1000 mm* with division bar	402 mm	<b>NEW</b> 50 mm	58230.0402	1
KDR-BES-U-VX25-1200	Rittal VX25	1200 mm* with division bar	502 mm	<b>NEW</b> 50 mm	58230.0502	1
KDR-BES-U for Rittal TS8 enclosures						
KDR-BES-U-TS8-600	Rittal TS8	600 mm	435 mm	35 mm	58210.0435	1
KDR-BES-U-TS8-800	Rittal TS8	800 mm	635 mm	35 mm	58210.0635	1
KDR-BES-U-TS8-1000	Rittal TS8	1000 mm* with division bar	397 mm	35 mm	58210.0397	1
KDR-BES-U-TS8-1000	Rittal TS8	1000 mm without division bar	835 mm	35 mm	58210.0835	1
KDR-BES-U-TS8-1200	Rittal TS8	1200 mm* with division bar	495 mm	35 mm	58210.0495	1
KDR-BES-U for Hoffman PROLINE G2 enclosures						
KDR-BES-U-HG2-600	Hoffman PROLINE G2	600 mm / 1200 mm*	362 mm	35 mm	58210.0362	1
KDR-BES-U-HG2-800	Hoffman PROLINE G2	800 mm	562 mm	35 mm	58210.0562	1
KDR-BES-U-HG2-1000	Hoffman PROLINE G2	1000 mm	762 mm	35 mm	58210.0762	1
Edge protection trim	universal	Clamping range 1-2 mm			99152	100 m

\* in case both fields of the enclosure are equipped, 2 complete gland plates are necessary.