



Electric Heater Series E 150

1 Application

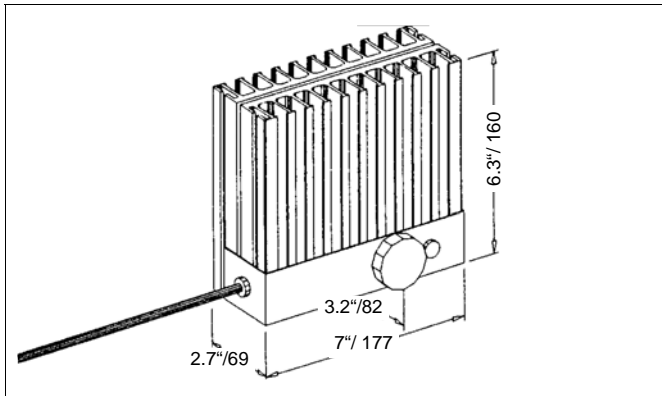
Heating of instrument enclosures, cabinets and switchgear cabinets if explosion protection is not required. For: INDUSTRIAL USE ONLY"

- Freeze protection
- Protection against condensation
- Temperature maintenance.

2 Special Features

- High heat transfer capabilities due to the unique design of the black anodized aluminium fins
- Sleek, compact appearance
- Built-in adjustable thermostat with light
- Silicone supply cord

3 Dimensions



5 Description

The convection heater consists of a reliable tubular heating element which is "sandwiched" between two extruded black anodized profiles of saltwater-proof aluminium alloy. The thermostat housing is at the bottom of the heater. There is an adjustable thermostat and control light, which indicates when the heater is on. For applications with more stringent requirements (e.g. humid ambient conditions) use INTERTEC heaters (protection degree IP 68).

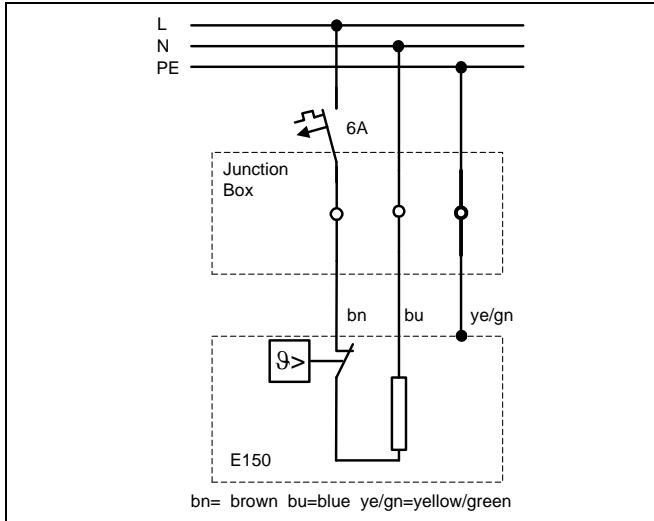
4 Technical Data

	E 159	E 160	E 155	E 156	E 158
Nominal Power	500 W	260 W	500 W	250 W	500 W
Nominal Voltage	120 V AC	120 V AC	240 V AC	240 V AC	250 V AC
Adjustment Range	40...115 F/ 5...45°C				
Ingress Protection	IP 30				
Weight	3,75 lbs/ 1,7 kg				
CSA Certificate	File # 2055866 (LR43674)		----		



Electric Heater Series E 150

6 Wiring Diagram

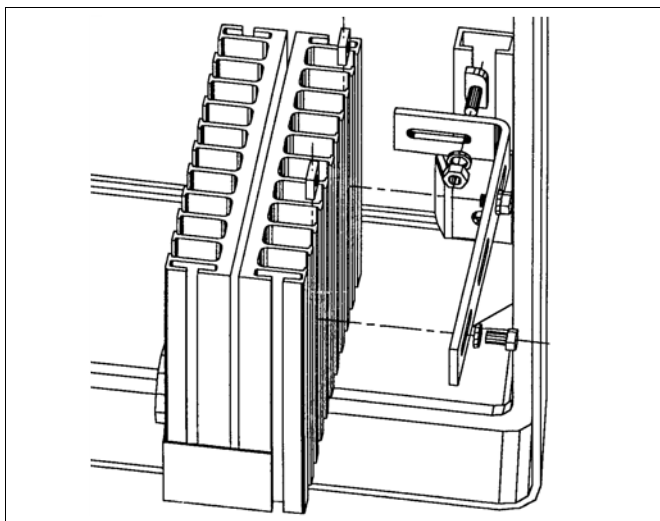


7 Installation

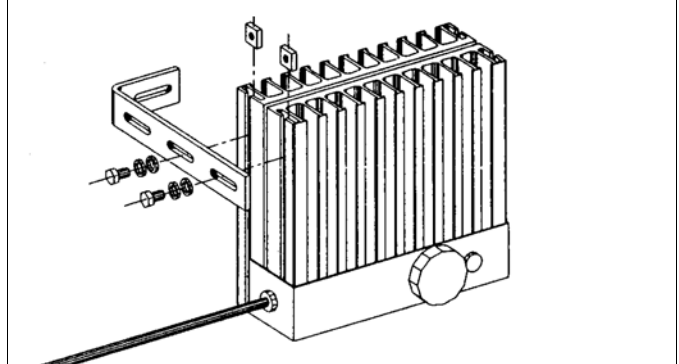
The heater has to be installed with the fins vertical; heat sink faces up, control unit at bottom. In order to allow free air convection, a space of 4" / 100 mm above and 2" / 50 mm beneath the heater should remain clear.

The mounting bracket can be installed by sliding the nuts on any one of the fin on the vertical sides of the heater. We recommend to loosely assemble the sliding nuts to the mounting bracket first and then insert them in the desired fins.

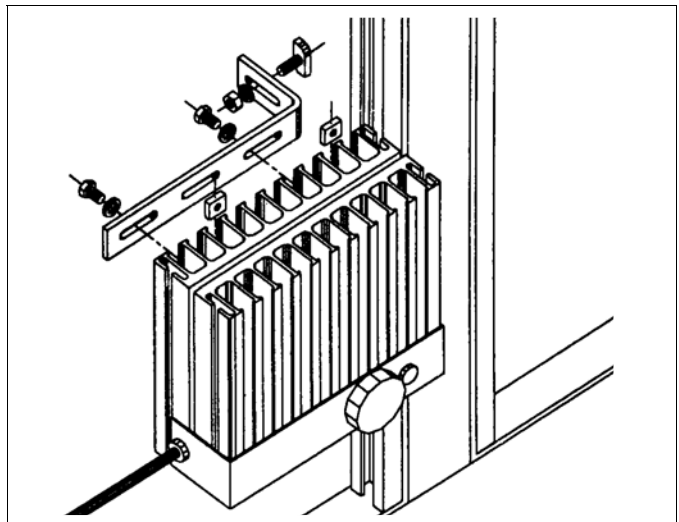
7.1 Attached to the Mounting Rail in the INTERTEC Instrument Enclosure



7.2 Attached to a Mounting Plate



7.3 Attached to the C-Rail of an INTERTEC Protective Cabinet



The mounting bracket and all shown bolts and nuts are supplied with the heater.