



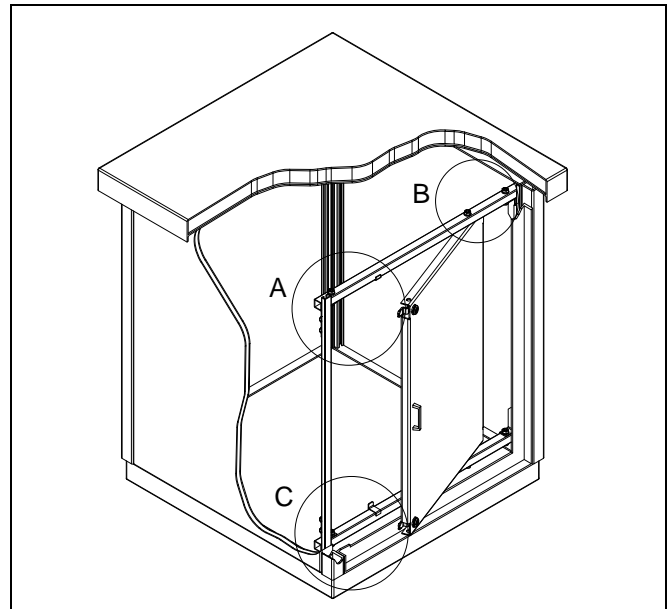
# Swing Mounting Plates, with rolled edges for CLASSIC Cabinet Series

## Advantages

- Easy to equip at the work-bench. The plate rests on its frame, so that drilling, installation of counternuts etc. is simplified
- The whole surface can be used
- No sagging, even with large plates
- Solid construction due to rolled edges on all four sides – sheet steel, zinc coated, 0.1”/ 3 mm; optionally stainless steel (Mat. No. 1.4301 or 1.4571), 0.1”/ 3 mm
- Edges are folded twice on the height
- 2 closures and a plastic handle to open
- Stainless steel top and bottom frames
- Solid bearings

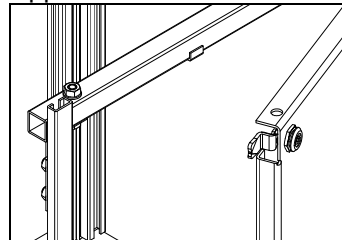
## 1 Swing plates mounted behind door

CLASSIC protective cabinet type	Mounting plate HxW		Mounting plate article No.
	inches	mm	
110.070. ...	33.5 x 13.8	850 x 350	SMPS-1000.400MS
110.090. ...	33.5 x 21.7	850 x 550	SMPS-1000.600MS
110.110. ...	33.5 x 29.5	850 x 750	SMPS-1000.800MS
110.135. ...	33.5 x 37.4	850 x 950	SMPS-1000.1000MS
135.070. ...	43.3 x 13.8	1100 x 350	SMPS-1250.400MS
135.090. ...	43.3 x 21.7	1100 x 550	SMPS-1250.600MS
135.110. ...	43.3 x 29.5	1100 x 750	SMPS-1250.800MS
135.135. ...	43.3 x 37.4	1100 x 950	SMPS-1250.1000MS
160.070. ...	53.1 x 13.8	1350 x 350	SMPS-1500.400MS
160.090. ...	53.1 x 21.7	1350 x 550	SMPS-1500.600MS
160.110. ...	53.1 x 29.5	1350 x 750	SMPS-1500.800MS
160.135. ...	53.1 x 37.4	1350 x 950	SMPS-1500.1000MS
185.070. ...	63.0 x 13.8	1600 x 350	SMPS-1750.400MS
185.090. ...	63.0 x 21.7	1600 x 550	SMPS-1750.600MS
185.110. ...	63.0 x 29.5	1600 x 750	SMPS-1750.800MS
185.135. ...	63.0 x 37.4	1600 x 950	SMPS-1750.1000MS
210.070. ...	72.8 x 13.8	1850 x 350	SMPS-2000.400MS
210.090. ...	72.8 x 21.7	1850 x 550	SMPS-2000.600MS
210.110. ...	72.8 x 29.5	1850 x 750	SMPS-2000.800MS
210.135. ...	72.8 x 37.4	1850 x 950	SMPS-2000.1000MS

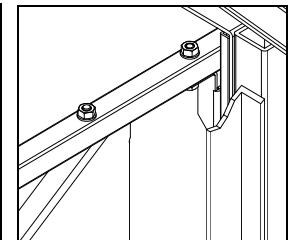


(Cabinet illustrated as 'broken open')

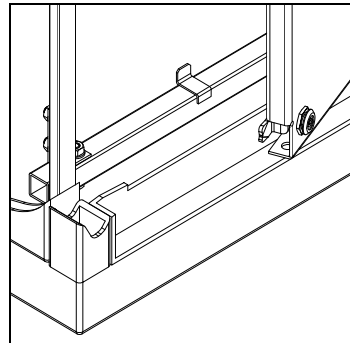
Detail A – Upper closure



Detail B – Fulcrum



Detail C – Lower closure



The distance between the closed door and the plate is 2.4”/ 60mm – 4.3”/ 110mm.



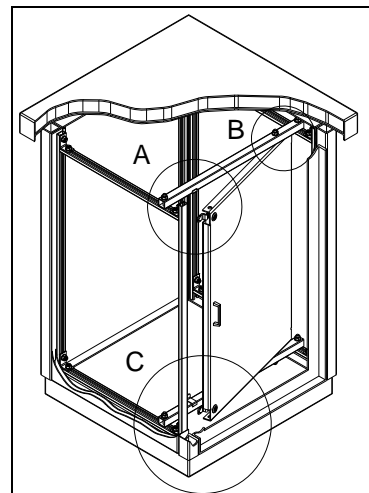
# Swing Mounting Plate, edged, depth adjustable for 'CLASSIC' protective cabinet series

## 2 Hinged, depth adjustable

CLASSIC protective cabinet type	Mounting plate HxW		Mounting plate	4 extra MS*	
	inches	mm			
110.070.	050	33.5 x 19.7	850 x 500	SMPS-1000.600MS	SMSS400
	070				SMSS600
	090				SMSS800
	110				SMSS1000
110.090.	050	33.5 x 21.7	850 x 550	SMPS-1000.800MS	SMSS400
	070				SMSS600
	090				SMSS800
	110				SMSS1000
110.110.	050	33.5 x 29.5	850 x 750	SMPS-1000.1000MS	SMSS400
	070				SMSS600
	090				SMSS800
	110				SMSS1000
110.135.	050	33.5 x 41.3	850 x 1050	SMPS-1000.1250MS	SMSS400
	070				SMSS600
	090				SMSS800
	110				SMSS1000
135.070.	050	43.3 x 19.7	1100 x 500	SMPS-1250.600MS	SMSS400
	070				SMSS600
	090				SMSS800
	110				SMSS1000
135.090.	050	43.3 x 21.7	1100 x 550	SMPS-1250.800MS	SMSS400
	070				SMSS600
	090				SMSS800
	110				SMSS1000
135.110.	050	43.3 x 29.5	1100 x 750	SMPS-1250.1000MS	SMSS400
	070				SMSS600
	090				SMSS800
	110				SMSS1000
135.135.	050	43.3 x 41.3	1100 x 1050	SMPS-1250.1250MS	SMSS400
	070				SMSS600
	090				SMSS800
	110				SMSS1000
160.070.	050	53.1 x 19.7	1350 x 500	SMPS-1500.600MS	SMSS400
	070				SMSS600
	090				SMSS800
	110				SMSS1000
160.090.	050	53.1 x 21.7	1350 x 550	SMPS-1500.800MS	SMSS400
	070				SMSS600
	090				SMSS800
	110				SMSS1000
160.110.	050	53.1 x 29.5	1350 x 750	SMPS-1500.1000MS	SMSS400
	070				SMSS600
	090				SMSS800
	110				SMSS1000
160.135.	050	53.1 x 41.3	1350 x 1050	SMPS-1500.1250MS	SMSS400
	070				SMSS600
	090				SMSS800
	110				SMSS1000
185.070.	050	63.0 x 19.7	1600 x 500	SMPS-1750.600MS	SMSS400
	070				SMSS600
	090				SMSS800
	110				SMSS1000
185.090.	050	63.0 x 21.7	1600 x 550	SMPS-1750.800MS	SMSS400
	070				SMSS600
	090				SMSS800
	110				SMSS1000

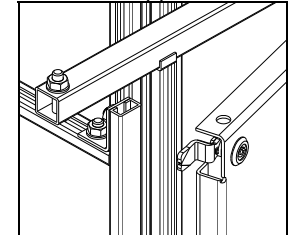
185.110.	050	63.0 x 29.5	1600 x 750	SMPS-1750.1000MS	SMSS400
	070				SMSS600
	090				SMSS800
	110				SMSS1000
185.135.	050	63.0 x 41.3	1600 x 1050	SMPS-1750.1250MS	SMSS400
	070				SMSS600
	090				SMSS800
	110				SMSS1000
210.070.	050	72.8 x 19.7	1850 x 500	SMPS-2000.600MS	SMSS400
	070				SMSS600
	090				SMSS800
	110				SMSS1000
210.090.	050	72.8 x 21.7	1850 x 550	SMPS-2000.800MS	SMSS400
	070				SMSS600
	090				SMSS800
	110				SMSS1000
210.110.	050	72.8 x 29.5	1850 x 750	SMPS-2000.1000MS	SMSS400
	070				SMSS600
	090				SMSS800
	110				SMSS1000
210.135.	050	72.8 x 41.3	1850 x 1050	SMPS-2000.1250MS	SMSS400
	070				SMSS600
	090				SMSS800
	110				SMSS1000

\* depth adjustable mounting bars

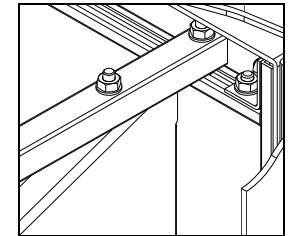


(Cabinet illustrated as 'broken open')

Detail A – Upper closure



Detail B – Fulcrum



Detail C – Lower closure

