

JUMO GmbH & Co. KG
Delivery address: Mackenrodtstraße 14
36039 Fulda, Germany
Postal address: 36035 Fulda, Germany
Phone: +49 661 6003-0
Fax: +49 661 6003-607
Email: mail@jumo.net
Internet: www.jumo.net


JUMO Instrument Co. Ltd.
JUMO House
Temple Bank, Riverway
Harlow, Essex, CM20 2DY, UK
Phone: +44 1279 63 55 33
Fax: +44 1279 62 50 29
Email: sales@jumo.co.uk
Internet: www.jumo.co.uk

JUMO Process Control, Inc.
6733 Myers Road
East Syracuse, NY 13057, USA
Phone: +1 315 437 5866
Fax: +1 315 437 5860
Email: info.us@jumo.net
Internet: www.jumousa.com



JUMO MIDAS S21 Ex

Pressure transmitter for use in Ex-areas

 II 2G Ex ib IIC T6 ... T4 Gb
II 2D Ex ib IIIC T70 °C ... T100 °C Db

Applications

- Oil, fuel, natural gas
- Painting plants/robots
- Process technology and process engineering
- Plant engineering
- Testing and laboratory technology
- Chemical industry

These recommendations are based on many years of experience; however, in individual cases they may not be fully applicable. We would be happy to provide further information, including regarding additional applications.

Brief description

The JUMO MIDAS S21 Ex pressure transmitter measures the pressure of gases, vapors, and liquids. The device operates according to the piezoresistive measuring principle. The output signal is a load-independent direct current which is linearly proportional to the input pressure.

The pressure transmitter type 404710 meets the requirements:

- Off device group II in the potentially explosive area of zones 1 and 2
- Of device group III in the potentially explosive area of zones 21 und 22

The EC-type examination certificate of the pressure transmitter reads: SEV 09 ATEX 0101 X.

Customer benefits

- **Cost saving**
Type pressure transmitter is based on the already well-proven sensor technology of the JUMO MIDAS pressure transmitter series. A high level of automation on the production line ensures consistently high quality and low production costs.
- **Process reliability**
The measuring device was designed and certified according to ATEX directives. Set quality standards ensure a full final inspection within the fully automated measuring and calibration system. High burst pressures up to 400 bar (10 times the measuring span) ensure that the process will operate safely even in the event of damage.
- **Versatility**
A broad spectrum of measuring ranges and a multitude of process connections ensure many variants, which can be specifically adapted to any application.



Type 404710

Special features

- Measuring ranges of 0.25 to 100 bar relative and absolute pressure rating
- ATEX approval
- Welded system
- Compact design type
- Static and dynamic measurements

Approvals and approval marks



JUMO GmbH & Co. KG
 Delivery address: Mackenrodtstraße 14
 36039 Fulda, Germany
 Postal address: 36035 Fulda, Germany
 Phone: +49 661 6003-0
 Fax: +49 661 6003-607
 Email: mail@jumo.net
 Internet: www.jumo.net

JUMO Instrument Co. Ltd.
 JUMO House
 Temple Bank, Riverway
 Harlow, Essex, CM20 2DY, UK
 Phone: +44 1279 63 55 33
 Fax: +44 1279 62 50 29
 Email: sales@jumo.co.uk
 Internet: www.jumo.co.uk

JUMO Process Control, Inc.
 6733 Myers Road
 East Syracuse, NY 13057, USA
 Phone: +1 315 437 5866
 Fax: +1 315 437 5860
 Email: info.us@jumo.net
 Internet: www.jumousa.com



Technical data

General Information

Reference conditions	According to DIN EN 60770-1 and DIN IEC 61298-1
Sensor	
Material	Silicon sensor with stainless steel separating membrane
Pressure transfer medium	Synthetic oil
Admissible load changes	> 10 million
Mounting position	Any
Calibration position	Device upright, process connection at the bottom

Input

Measuring range and accuracy

Measuring range bar	Linearity ^a % MSP ^f	Accuracy at		Long-term stability ^b % MSP per year	Overload capacity ^c bar	Burst pressure bar
		20 °C ^d % MSP	-20 °C to +85 °C ^e % MSP			
0 to 0.6 bar relative/absolute pressure	0.3	0.5	1.2	< 0,2	2.4	6
0 to 1 bar relative/absolute pressure	0.3	0.5	1.2		4	10
0 to 1.6 bar relative/absolute pressure	0.3	0.4	1.0		6.4	16
0 to 2.5 bar relative/absolute pressure	0.3	0.4	1.0		10	25
0 to 4 bar relative/absolute pressure	0.3	0.4	1.0		16	40
0 to 6 bar relative/absolute pressure	0.3	0.4	1.0		24	60
0 to 10 bar relative/absolute pressure	0.3	0.4	1.0		40	100
0 to 16 bar relative/absolute pressure	0.3	0.4	1.0		64	160
0 to 25 bar relative/absolute pressure	0.3	0.4	1.0		100	250
0 to 0.25 bar relative pressure	0.3	0.5	1.2		1	2.5
0 to 0.4 bar relative pressure	0.3	0.5	1.2		1.6	4
0 to 40 bar relative pressure	0.3	0.4	1.0		300	400
0 to 60 bar relative pressure	0.3	0.4	1.0		300	400
0 to 100 bar relative pressure	0.3	0.4	1.0		300	400
-0.25 to 0 bar relative pressure	0.3	0.5	1.2		1	2.5
-0.4 to 0 bar relative pressure	0.3	0.5	1.2		1.6	4
-0.6 to 0 bar relative pressure	0.3	0.5	1.2		2.4	6
-1 to 0 bar relative pressure	0.3	0.5	1.2		4	10
-1 to +0.6 bar relative pressure	0.3	0.4	1.0		6.4	16
-1 to +1.5 bar relative pressure	0.3	0.4	1.0		10	25
-1 to +3 bar relative pressure	0.3	0.4	1.0	16	40	
-1 to +5 bar relative pressure	0.3	0.4	1.0	24	60	
-1 to +9 bar relative pressure	0.3	0.4	1.0	40	100	
-1 to +15 bar relative pressure	0.3	0.4	1.0	64	160	
-1 to +24 bar relative pressure	0.3	0.4	1.0	100	250	

^a Linearity according to limit point setting

^b Reference conditions EN 61298-1

^c All pressure transmitters are vacuum proof.

^d Includes: linearity, hysteresis, repeatability, deviation of measuring range initial value (offset), and measuring range end value

^e Includes: linearity, hysteresis, repeatability, deviation of measuring range initial value (offset) and measuring range end value, thermal effect on measuring range start (offset), and measuring span

^f MSP = Measuring span

JUMO GmbH & Co. KG
 Delivery address: Mackenrodtstraße 14
 36039 Fulda, Germany
 Postal address: 36035 Fulda, Germany
 Phone: +49 661 6003-0
 Fax: +49 661 6003-607
 Email: mail@jumo.net
 Internet: www.jumo.net

JUMO Instrument Co. Ltd.
 JUMO House
 Temple Bank, Riverway
 Harlow, Essex, CM20 2DY, UK
 Phone: +44 1279 63 55 33
 Fax: +44 1279 62 50 29
 Email: sales@jumo.co.uk
 Internet: www.jumo.co.uk

JUMO Process Control, Inc.
 6733 Myers Road
 East Syracuse, NY 13057, USA
 Phone: +1 315 437 5866
 Fax: +1 315 437 5860
 Email: info.us@jumo.net
 Internet: www.jumousa.com



Output

Output signal Current	4 to 20 mA, two-wire
Step response T_{90}	≤ 2 ms
Burden 4 to 20 mA, two-wire Burden influence	$R_B \leq (U_B - 16 \text{ V}) \div 0.022 \text{ A} (\Omega)$ $\leq 0.004 \%$ per 100 Ω

Mechanical features

Material Process connection Membrane Case Electrical connection	316 Ti Exception: 316 L for process connection according to customer specifications 316 L 304 Round plug M12 × 1: PA, nickel-plated zinc diecast, Attached cable: Silicone, Loose stranded wires: Silicone, Cable socket: PA 66 GF, PA6-GF30, EPDM, Special version: PUR
Weight	170 g with process connection G 1/2
Explosion protection	II 2G Ex ib IIC T6 ... T4 Gb II 2D Ex ib IIIC T70°C ... T100°C Db ^a

^a Certification in the area of dust not possible in connection with electrical connection line socket.

Environmental influences

Ambient temperature	Equipment Protection Level Gb temperature class T4: -40 to +85 °C T5: -40 to +70 °C T6: -40 to +55 °C Equipment Protection Level Db maximum surface temperature T100 °C: -40 to +85 °C T85 °C: -40 to +70 °C T70 °C: -40 to +55 °C
Medium temperature	-40 to +85 °C
Storage temperature	-40 to +100 °C
Protection type ^a	IP65, according to DIN EN 60529
Electromagnetic compatibility (EC) Interference emission Interference immunity	According to EN 61326 Class B ^b Industrial requirement
Mechanical load Shock resistance Vibration resistance	100 g/1 ms, according to DIN EN 60068-2-27 20 g at 15 to 2000 Hz, according to DIN EN 60068-2-6

^a The protection type is only achieved with a suitable mounted counter piece. The connecting cable diameter for cable socket is minimum 4,5 mm, maximum 7 mm.

^b The product is suitable for industrial use as well as for households and small businesses.

JUMO GmbH & Co. KG
Delivery address: Mackenrodtstraße 14
36039 Fulda, Germany
Postal address: 36035 Fulda, Germany
Phone: +49 661 6003-0
Fax: +49 661 6003-607
Email: mail@jumo.net
Internet: www.jumo.net

JUMO Instrument Co. Ltd.
JUMO House
Temple Bank, Riverway
Harlow, Essex, CM20 2DY, UK
Phone: +44 1279 63 55 33
Fax: +44 1279 62 50 29
Email: sales@jumo.co.uk
Internet: www.jumo.co.uk

JUMO Process Control, Inc.
6733 Myers Road
East Syracuse, NY 13057, USA
Phone: +1 315 437 5866
Fax: +1 315 437 5860
Email: info.us@jumo.net
Internet: www.jumousa.com



Electrical data

Voltage supply U_B^a 4 to 20 mA, two-wire	DC 16 to 28 V
Current consumption	≤ 23 mA
Electrical circuit	Intrinsically safe

^a Residual ripple: the voltage peaks must not exceed or fall below the specified voltage supply values!

Approvals and approval marks

ATEX Testing agency Certificates/certification numbers Inspection basis Valid for	Eurofins Electrosuisse Product Testing AG SEV 09 ATEX 0101 X DIN EN 60079-0:12 + A11:13, DIN EN 60079-11:12 Type 404710
---	--

NOTE!

The special conditions for use can be found in the type examination certificate, which is available for download on the Internet on the respective product page.

JUMO GmbH & Co. KG
 Delivery address: Mackenrodtstraße 14
 36039 Fulda, Germany
 Postal address: 36035 Fulda, Germany
 Phone: +49 661 6003-0
 Fax: +49 661 6003-607
 Email: mail@jumo.net
 Internet: www.jumo.net

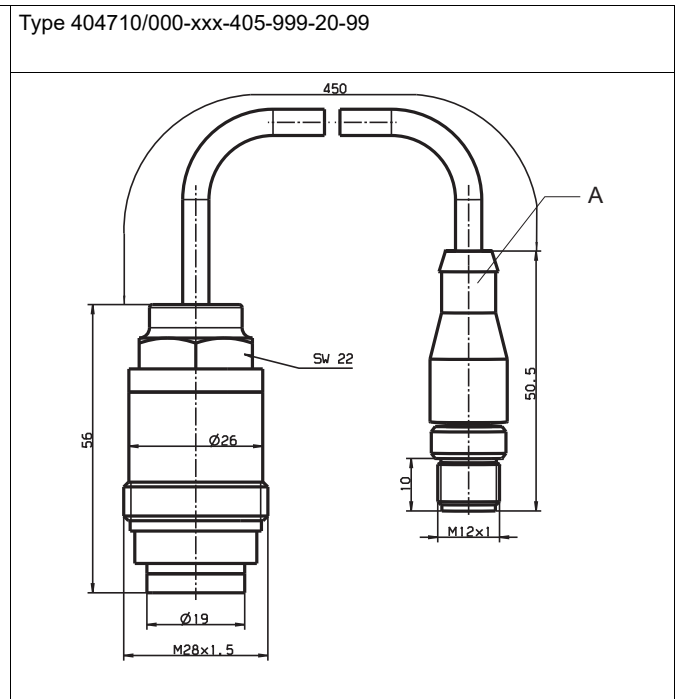
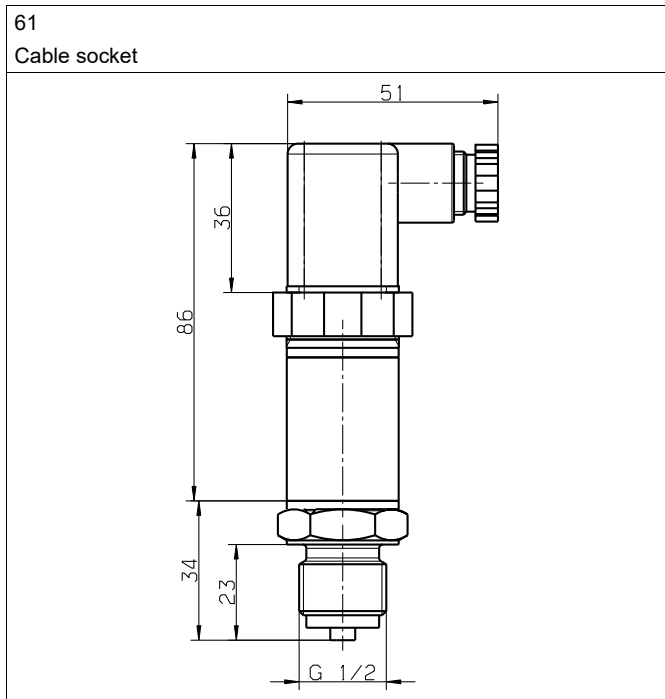
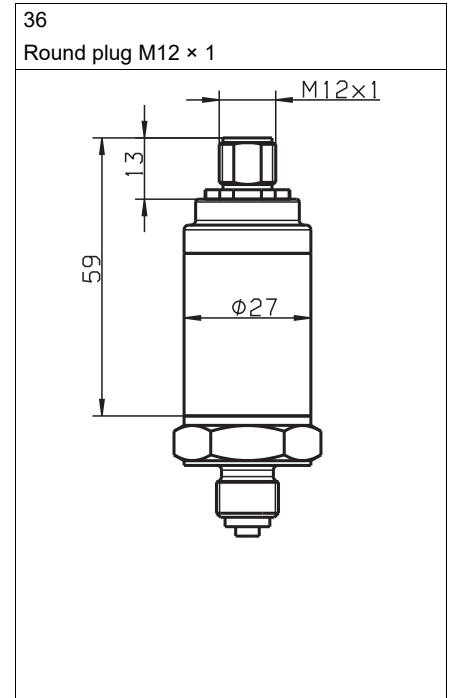
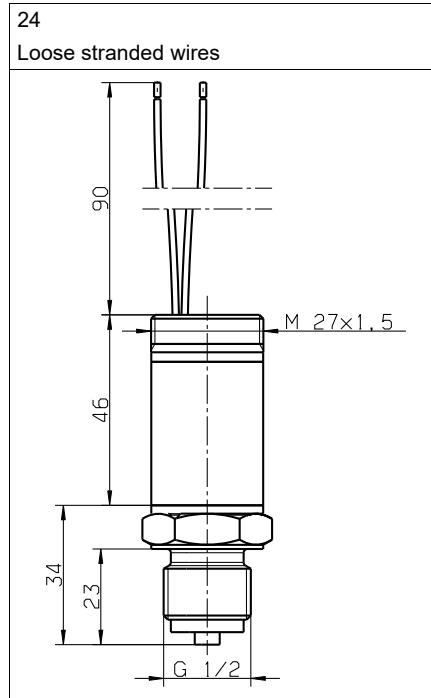
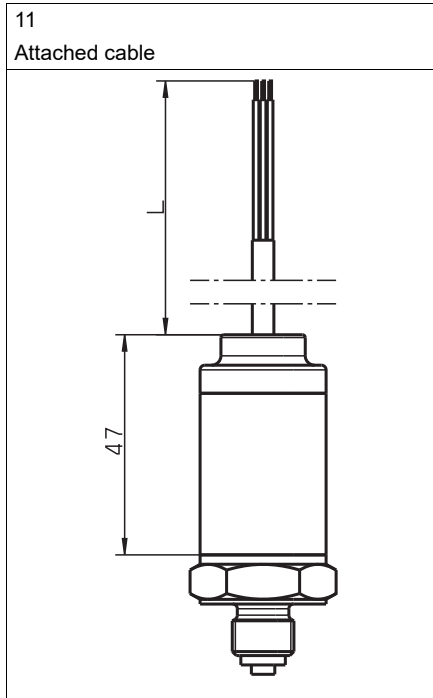
JUMO Instrument Co. Ltd.
 JUMO House
 Temple Bank, Riverway
 Harlow, Essex, CM20 2DY, UK
 Phone: +44 1279 63 55 33
 Fax: +44 1279 62 50 29
 Email: sales@jumo.co.uk
 Internet: www.jumo.co.uk

JUMO Process Control, Inc.
 6733 Myers Road
 East Syracuse, NY 13057, USA
 Phone: +1 315 437 5866
 Fax: +1 315 437 5860
 Email: info.us@jumo.net
 Internet: www.jumousa.com



Dimensions

Electrical connection



(A) Cable connector 4 x 0.34, 4-pin

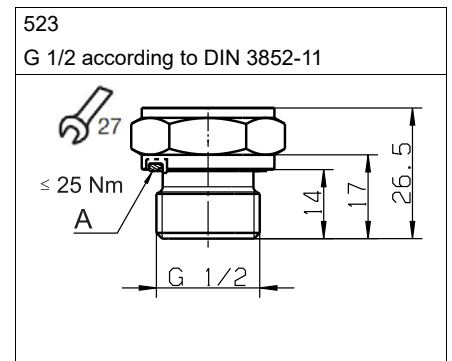
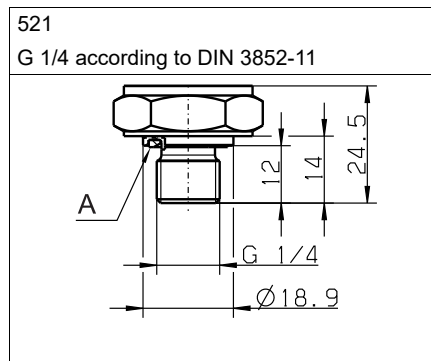
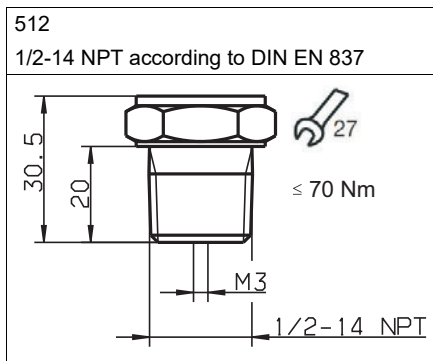
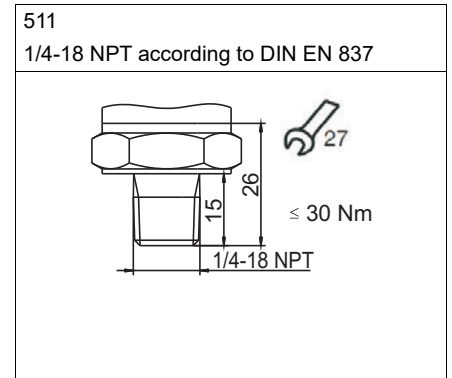
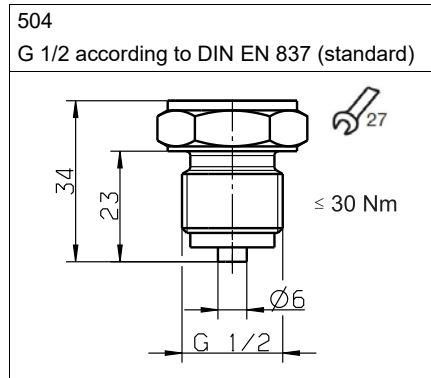
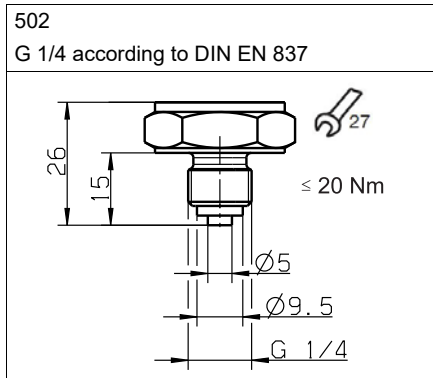
JUMO GmbH & Co. KG
 Delivery address: Mackenrodtstraße 14
 36039 Fulda, Germany
 Postal address: 36035 Fulda, Germany
 Phone: +49 661 6003-0
 Fax: +49 661 6003-607
 Email: mail@jumo.net
 Internet: www.jumo.net

JUMO Instrument Co. Ltd.
 JUMO House
 Temple Bank, Riverway
 Harlow, Essex, CM20 2DY, UK
 Phone: +44 1279 63 55 33
 Fax: +44 1279 62 50 29
 Email: sales@jumo.co.uk
 Internet: www.jumo.co.uk

JUMO Process Control, Inc.
 6733 Myers Road
 East Syracuse, NY 13057, USA
 Phone: +1 315 437 5866
 Fax: +1 315 437 5860
 Email: info.us@jumo.net
 Internet: www.jumousa.com

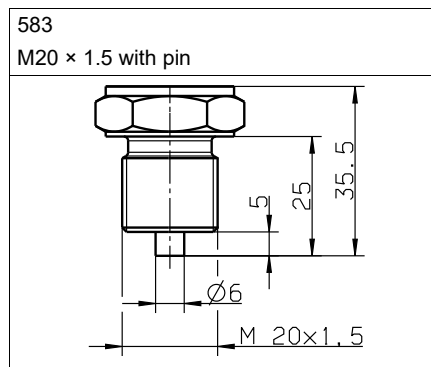
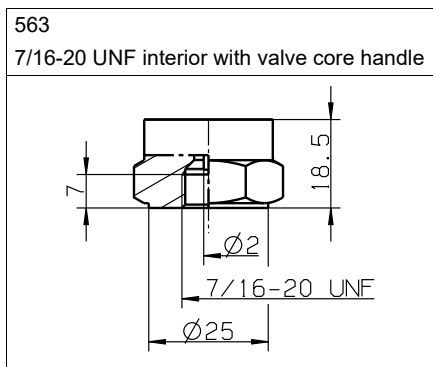


Process connections, not front-flush



A Profile seal G 1/4

A Profile seal G 1/2



JUMO GmbH & Co. KG
 Delivery address: Mackenrodtstraße 14
 36039 Fulda, Germany
 Postal address: 36035 Fulda, Germany
 Phone: +49 661 6003-0
 Fax: +49 661 6003-607
 Email: mail@jumo.net
 Internet: www.jumo.net


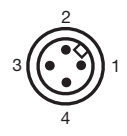
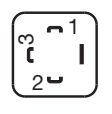
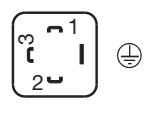

JUMO Instrument Co. Ltd.
 JUMO House
 Temple Bank, Riverway
 Harlow, Essex, CM20 2DY, UK
 Phone: +44 1279 63 55 33
 Fax: +44 1279 62 50 29
 Email: sales@jumo.co.uk
 Internet: www.jumo.co.uk

JUMO Process Control, Inc.
 6733 Myers Road
 East Syracuse, NY 13057, USA
 Phone: +1 315 437 5866
 Fax: +1 315 437 5860
 Email: info.us@jumo.net
 Internet: www.jumousa.com



Connection diagram

The connection diagram in the data sheet provides preliminary information about the connection options. For the electrical connection, only use the installation instructions or the operating manual. The knowledge and the correct technical compliance with the safety information and warnings contained in these documents are mandatory for mounting, electrical connection, and startup as well as for safety during operation.

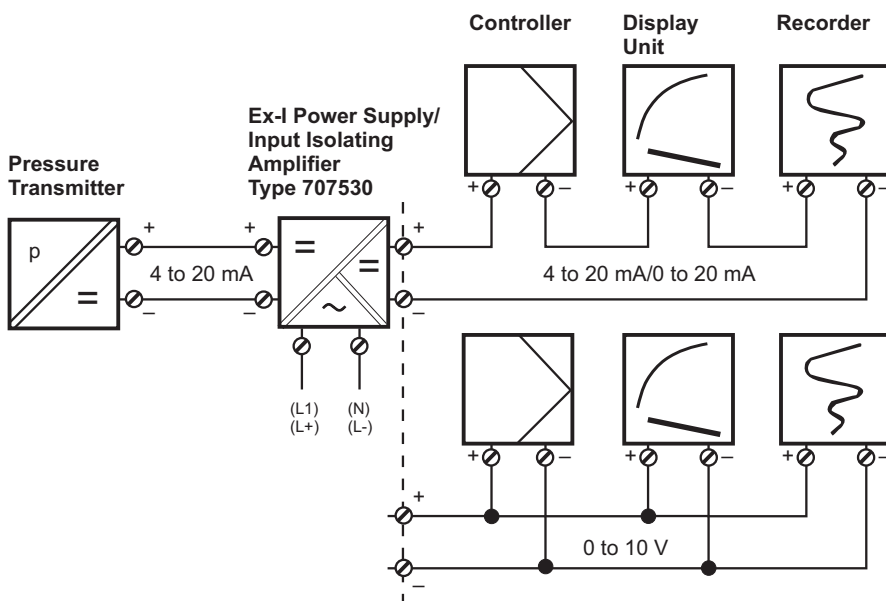
Connection		Terminal assignment (Figure: connection to the pressure transmitter)			
					
		11 Attached cable	24 Loose stranded wires	36 Round plug M12 x 1	61 Cable socket
4 to 20 mA, two-wire (output 405)					
Voltage supply DC 16 to 28 V	U _B /S+ 0 V/S-	BU BK	BU BK	1 BN 3 BU	1 2
Functional bonding conductor FB ^a		-	-	-	-

^a The pressure transmitter has to be connected to the potential equalization system of the plant via the process connection.

Color coding: connecting cable round plug M12 x 1	
1 BN	Brown
2 WH	White
3 BU	Blue
4 BK	Black

The color coding is **only** valid for A-coded standard cables!

Connection example



JUMO GmbH & Co. KG
 Delivery address: Mackenrodtstraße 14
 36039 Fulda, Germany
 Postal address: 36035 Fulda, Germany
 Phone: +49 661 6003-0
 Fax: +49 661 6003-607
 Email: mail@jumo.net
 Internet: www.jumo.net

JUMO Instrument Co. Ltd.
 JUMO House
 Temple Bank, Riverway
 Harlow, Essex, CM20 2DY, UK
 Phone: +44 1279 63 55 33
 Fax: +44 1279 62 50 29
 Email: sales@jumo.co.uk
 Internet: www.jumo.co.uk

JUMO Process Control, Inc.
 6733 Myers Road
 East Syracuse, NY 13057, USA
 Phone: +1 315 437 5866
 Fax: +1 315 437 5860
 Email: info.us@jumo.net
 Internet: www.jumousa.com



Order details

	(1) Basic type
404710/000	JUMO MIDAS S21 Ex – Pressure transmitter for use in Ex-areas
	(2) Input – nominal measuring range
451	0 to 0.25 bar relative pressure
452	0 to 0.4 bar relative pressure
453	0 to 0.6 bar relative pressure
454	0 to 1 bar relative pressure
455	0 to 1.6 bar relative pressure
456	0 to 2.5 bar relative pressure
457	0 to 4 bar relative pressure
458	0 to 6 bar relative pressure
459	0 to 10 bar relative pressure
460	0 to 16 bar relative pressure
461	0 to 25 bar relative pressure
432	0 to 30 bar relative pressure
462	0 to 40 bar relative pressure
463	0 to 60 bar relative pressure
464	0 to 100 bar relative pressure
475	-0.25 to 0 bar relative pressure
476	-0.4 to 0 bar relative pressure
477	-0.6 to 0 bar relative pressure
478	-1 to 0 bar relative pressure
479	-1 to +0.6 bar relative pressure
480	-1 to +1.5 bar relative pressure
481	-1 to +3 bar relative pressure
482	-1 to +5 bar relative pressure
483	-1 to +9 bar relative pressure
484	-1 to +15 bar relative pressure
485	-1 to +24 bar relative pressure
487	0 to 0.6 bar absolute pressure
488	0 to 1 bar absolute pressure
489	0 to 1.6 bar absolute pressure
490	0 to 2.5 bar absolute pressure
491	0 to 4 bar absolute pressure
492	0 to 6 bar absolute pressure
493	0 to 10 bar absolute pressure
494	0 to 16 bar absolute pressure
495	0 to 25 bar absolute pressure
998	Special measuring range for absolute pressure
999	Special measuring range for relative pressure
	(3) Output
405	4 to 20 mA, 2-wire
	(4) Process connection
502	G 1/4 according to DIN EN 837
504	G 1/2 according to DIN EN 837 (standard)
511	1/4-18 NPT according to DIN EN 837
512	1/2-14 NPT according to DIN EN 837
521	G 1/4 according to DIN 3852-11
523	G 1/2 according to DIN 3852 T11




JUMO GmbH & Co. KG
 Delivery address: Mackenrodtstraße 14
 36039 Fulda, Germany
 Postal address: 36035 Fulda, Germany
 Phone: +49 661 6003-0
 Fax: +49 661 6003-607
 Email: mail@jumo.net
 Internet: www.jumo.net

JUMO Instrument Co. Ltd.
 JUMO House
 Temple Bank, Riverway
 Harlow, Essex, CM20 2DY, UK
 Phone: +44 1279 63 55 33
 Fax: +44 1279 62 50 29
 Email: sales@jumo.co.uk
 Internet: www.jumo.co.uk

JUMO Process Control, Inc.
 6733 Myers Road
 East Syracuse, NY 13057, USA
 Phone: +1 315 437 5866
 Fax: +1 315 437 5860
 Email: info.us@jumo.net
 Internet: www.jumousa.com



Accessories

Description	Description	Part no.
Ex-i repeater power supply / input isolating amplifier 	The Ex-i repeater power supply / input isolating amplifier is designed for operating intrinsically safe transmitters (Ex-i) and mA current sources installed in potentially explosive (Ex) areas. Two-wire transmitters are supplied with energy and analog 0/4 to 20 mA measured values are transmitted from the Ex-area to the non-Ex-area. The output of the module can be operated actively or passively. Further technical data and the relevant safety requirements are available in the operating manual B 707530.0.	00577948
Cable box, straight 	The PVC connecting cable is 2 m long and has a 4-pin, straight M12 × 1 connector with gold-plated contacts on the device side.	00404585
Cable box, angled 	The PVC connecting cable is 2 m long and has a 4-pin, angled M12 × 1 connector with gold-plated contacts on the device side.	00409334