

52104450	DATA SHEET	
Valid from: 14.04.2023	SKINDICHT® ME-M	

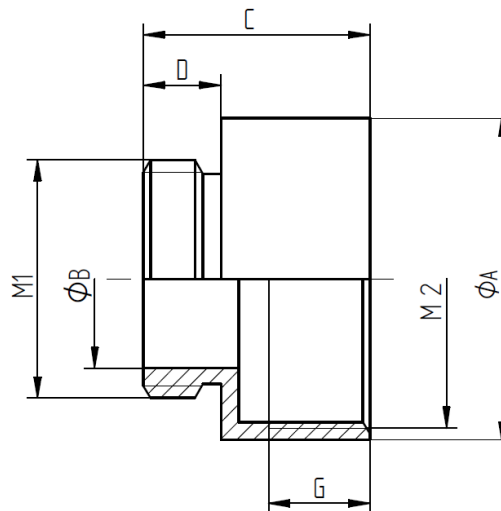
The SKINDICHT® ME-M enlargers enable the use of the cable glands with bigger outer thread than the already existing thread openings on machines, devices and housings.



Technical features:

Material	Brass, nickel-plated Brass lead free, nickel plated
External tread	M12x1.5 up to M63x1.5 acc. to EN 60423
Internal thread	M16x1.5 up to M75x1.5 acc. to EN 60423
Temperature range	-60°C up to +200°C

Norm references:

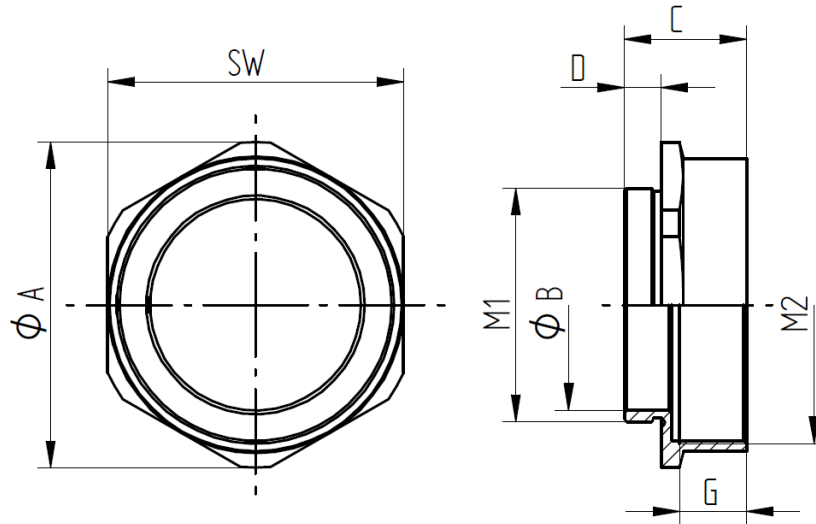


SKINDICHT® ME-M

Thread		Diameter		Length C mm	Thread length		Part No.	
M1	M2	Ø A mm	Ø B mm		D mm	G mm	Brass	Brass Lead Free
M12x1,5	M16x1,5	18	8	15	5	7,5	52104450	52104450LF
M16x1,5	M20x1,5	22	12	17,5	6	8,5	52104452	52104452LF
M20x1,5	M25x1,5	27	15	19	6,5	8,5	52104454	52104454LF
M25x1,5	M32x1,5	34	20	21	6,5	9,5	52104456	52104456LF
M32x1,5	M40x1,5	42	26	23	7	9,5	52104458	52104458LF
M40x1,5	M50x1,5	53	33	31	9	11	52104460	-
M50x1,5	M63x1,5	67	43	33	10	16	52104462	-

52104450	DATA SHEET	
Valid from: 14.04.2023	SKINDICHT® ME-M	

SKINDICHT® ME-M 6 Kt.



Thread		Wrench Size SW	Diameter		Length C mm	Thread length		Part No..	
M1	M2		Ø A mm	Ø B mm		D mm	G mm	Brass	Brass Lead Free
M63x1,5	M75x1,5	80	88	57	33	10	18	52104463	-

For more information please see our current catalogue. Please do not hesitate to contact our laboratory if there are any questions regarding resistance against aggressive agents and special oil.

Creator: M. Wegerer /PDP Released: DAMU1/PDP	Document: DB52104450EN Version: 06	Page 2 of 2
---	---------------------------------------	-------------